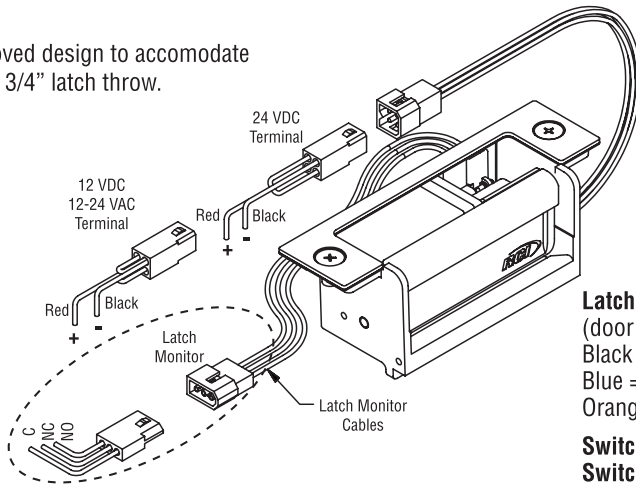




*In or Out...we make it Easy!®*

**IMPORTANT:** 3 ribs on the LM lever may require trimming for its proper engagement with 3/4" latch bolt.

Improved design to accommodate  
1/2" - 3/4" latch throw.



### Latch Monitor Wires

(door open no latch)  
Black = Common (C)  
Blue = Normally Closed (NC)  
Orange = Normally Open (NO)

**Switch Rating:** 2 Amp @ 24 VDC  
**Switch Type:** SPDT

- Step 1: Carefully remove faceplate from strike insert. Make sure the deadbolt and deadlatch alignments don't change.
- Step 2: Move the door towards the strike so that the latch touches the keeper.
- Step 3: Mark latch limit lines on keeper (Fig. 1).
- Step 4: Open the door, mount the Latch Monitor Module on the strike housing so that it is between the latch limit lines marked on keeper.
- Step 5: Make electrical connection, position the faceplate onto the strike and secure to the frame.  
NOTE: To avoid pinching, ensure wires run through wiring channel before inserting strike into frame (Fig. 2).
- Step 6: Test the door to ensure that the latch depresses the LM lever. If the latch doesn't depress the LM lever, the ribs must be trimmed with side cutters (Fig. 3).

