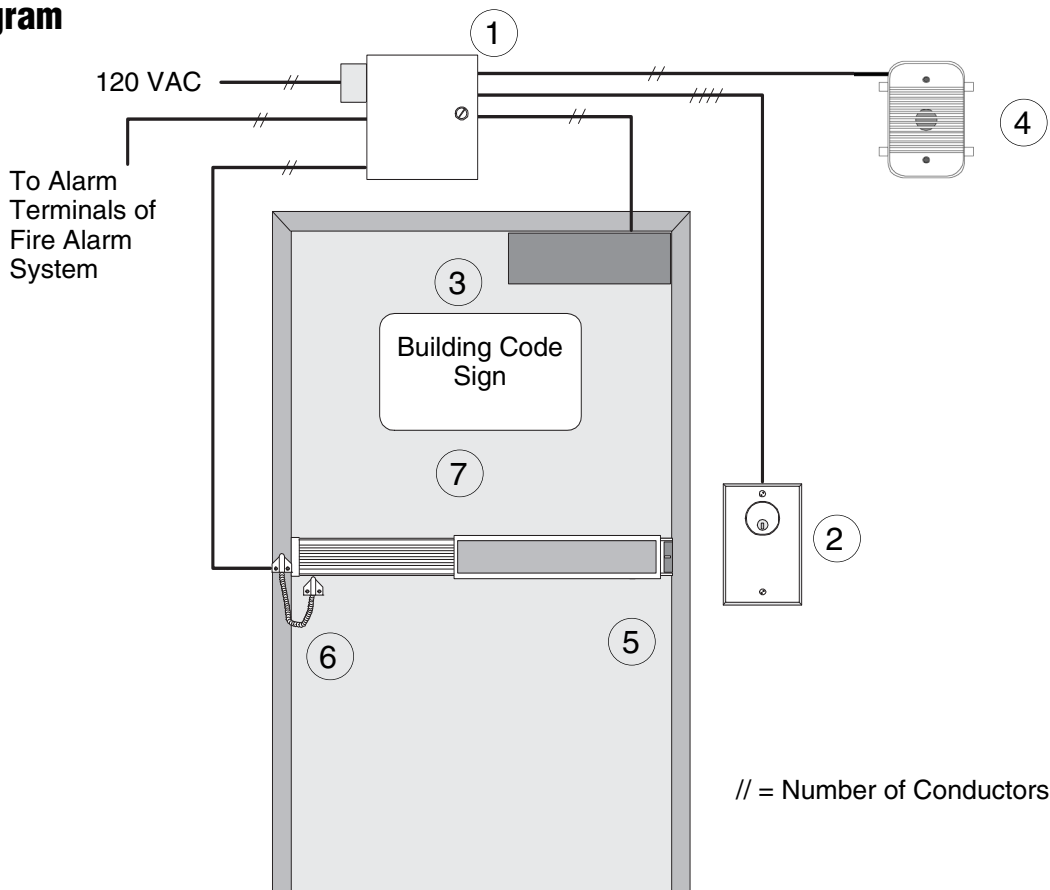




In or Out... we make it Easy!®

Riser Diagram



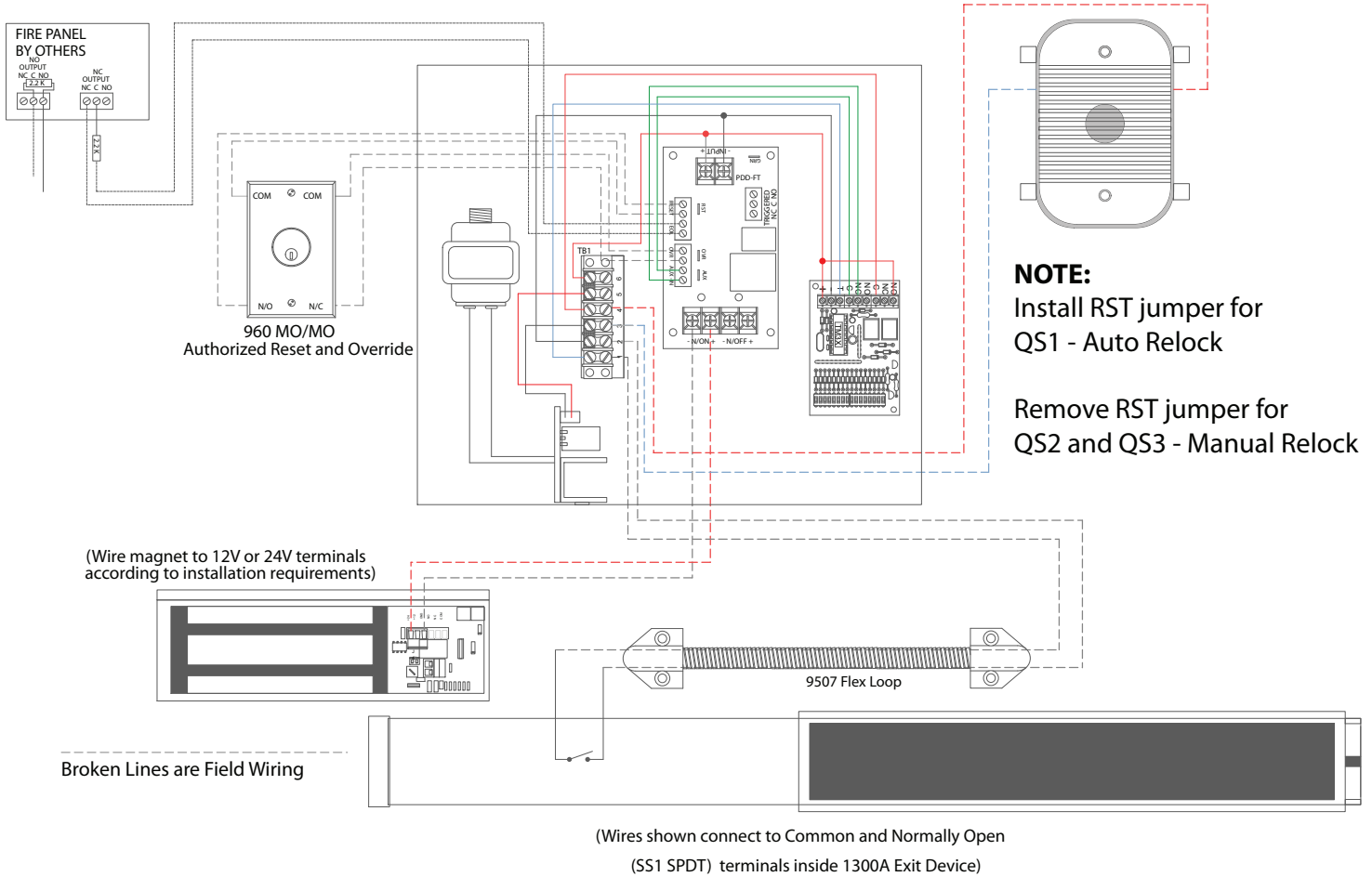
Delayed Egress QuickSystems® 1, 2, 3

Number	Component	Description
1	10-175UL (U.S.) 1012FPD-1A (Cdn) 1024FPD-1A (Cdn)	RCI Power Supply with Fire Release Relay (timer options included)
2	960-MO/MO x 28	Momentary Keyswitch with 2 SPDT Switch (less cylinder)
3	8310 x SCS/DSS x 28	8310 Electromagnetic Lock with SCS/DSS Features
4	914	Sounder
5	1200A x SS1-36-28	36" Exit Device with Switch Module
6	9507-12	12" Flex Loop
7	BC1M	Building Code Sign — PUSH UNTIL ALARM SOUNDS DOOR CAN BE OPENED WITHIN 15 SECONDS
	BC2M	Building Code Sign — EMERGENCY EXIT UNLOCKED BY FIRE ALARM

NOTE: See reverse for schematic diagram.

Delayed Egress QuickSystems® (Continued)

Schematic Diagram

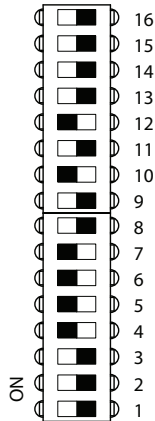


NOTE:

Install RST jumper for
QS1 - Auto Relock

Remove RST jumper for
QS2 and QS3 - Manual Relock

QS1 & QS2 Settings



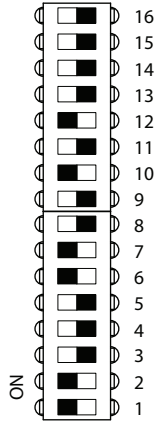
NOTE: Dip switch #16 must be set for correct voltage.

ON=24VDC OFF=12VDC

Switch settings for
0 Second Nuisance Delay
15 Second Delay to Unlock

Switches: 4, 5, 6, 7, 10 & 12 ON

QS3 Settings



NOTE: Dip switch #16 must be set for correct voltage.

ON=24VDC OFF=12VDC

Switch settings for
3 Second Nuisance Delay
15 Second Delay to Unlock

Switches: 1, 2, 6, 7, 10 & 12 ON

QuickSystems® Operation

- QS1** When the Exit switch is triggered, this will activate the timer relay. Once the timer has been activated, the sounder will operate for 20 seconds. At the end of this time period the sounder will silence and the door will unlock for 5 seconds before automatically resetting to the locked mode.
- QS2** When the Exit switch is triggered, this will activate the timer relay. Once the timer has been activated, the sounder will operate for 20 seconds. At the end of this time period the sounder will silence and the door will remain unlocked until the system is manually reset by authorized personnel.
- QS3** Once the exit switch has been activated for 3 seconds the timer will activate. Once the timer has been activated the sounder will operate for 20 seconds. At the end of this time period the sounder will silence and the door will remain unlocked until the system is manually reset by authorized personnel.

NOTE: National Building Code requires that if more than one QuickSystems® is used in a building, it is expected that one override/reset switch will release and reset all devices simultaneously.