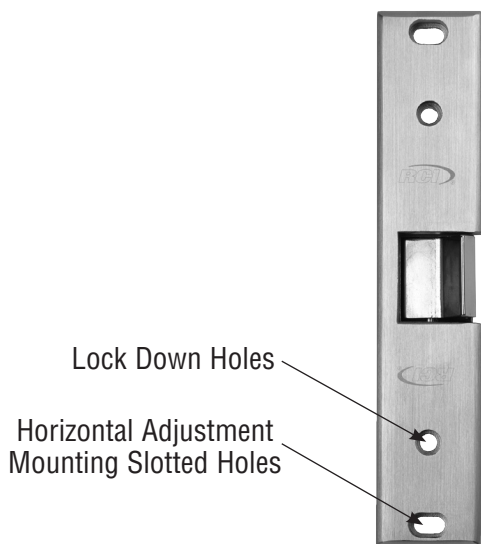


O SERIES COMMERCIAL ELECTRIC STRIKE CENTERLINE LATCH ENTRY FOR RIM EXIT DEVICE



In or Out... we make it Easy!



Important:

The 0161 Electric Strike is never to be used as a door stop. Please install stops on frame in appropriate locations. Ensure the exit device functions as intended for life safety concerns by verifying electric strike and exit device compatibility. Maximum latch projection is essential to obtain full holding force.

Note:

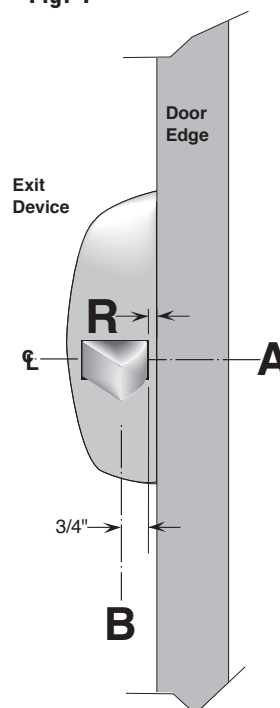
Whether this is a new install or retrofit it is important that the latch body is at least 3/16" away from the strike face. This gap is important for optimum strike function.

Installations of this RIM strike quality as "Indoor Use Only" when not continuously exposed to and outdoor environment.

Installation Instructions

1. Determine the horizontal center line "A" of the Pullman Latch on the exit device, and transfer to frame stop. (See Fig. 1)
2. Determine the vertical center line "B" for the Electric Strike by adding 3/4" to dimension "R". (See Fig. 1) Measure from the push side of the door to mark "B" on the frame stop. Remember to subtract the thickness of any silencers or weather stripping.
3. Prepare door jamb as per template. (See Fig. 2)

Fig. 1



NOTE: Do not scale specifications subject to change without notice.

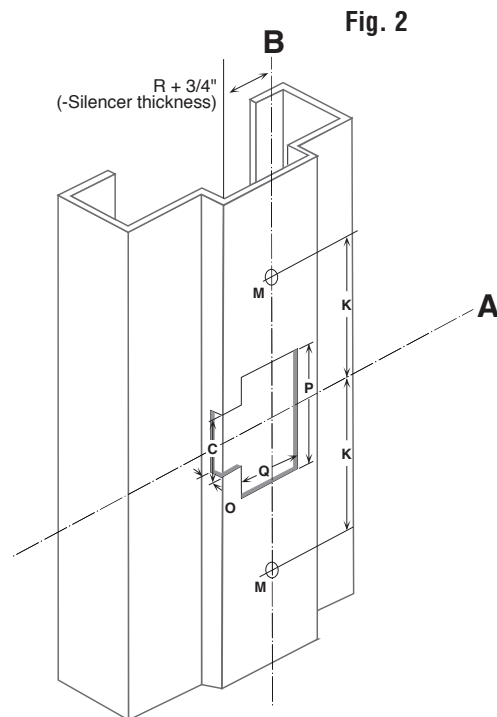
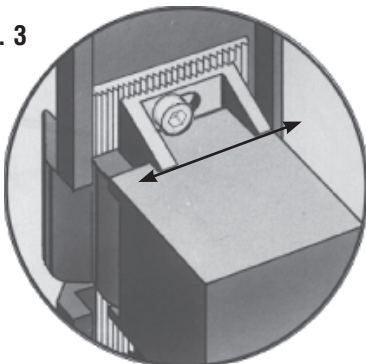
0161 Series Installation Instructions (Continued)

4. Ensure that strike insert is in the center most position on the faceplate prior to installation. This allows for maximum adjustability when installation is complete. (See Fig. 3)
5. Connect wires from power source to terminal screws on strike (polarity is not observed).
6. Using slotted holes in faceplate, install electric strike with two of the $\frac{1}{4}$ - 20 x 1", socket head cap screws provided.
7. Align strike using slotted mounting holes so that the Pullman Latch engages when door is closed. If necessary, loosen the insert screws on the back of the faceplate and move the insert horizontally across the furrows as shown in Fig. 3. Re-tighten adjusted screws.
Important: Be sure exit device dead latching functions properly when door is closed before proceeding to step 8.
8. Mark, drill and tap for the lock down screws. Secure final location with two of the $\frac{1}{4}$ - 20 x 1", socket head cap screws provided.

Frame Prep Template

MEASUREMENT	FRACTIONAL INCHES	DECIMAL INCHES	METRIC mm
A	Horizontal center line of Pullman Latch		
B	Vertical center line of 0161		
C	1-5/8	1.625	41.3
K	4-1/8	4.125	105
M	1/4 - 20 Tap		
O	5/16	.312	8
P	2-1/2	2.5	63
Q	1-3/8	1.375	35

Fig. 3



For future maintenance alignment, loosen the two insert screws on the back of the faceplate and move the insert horizontally across the furrows as shown (See Fig. 3). Re-tighten when in correct position.