

## OVERSIZED TAMPER-RESISTANT HANDICAP & EXIT BUTTON

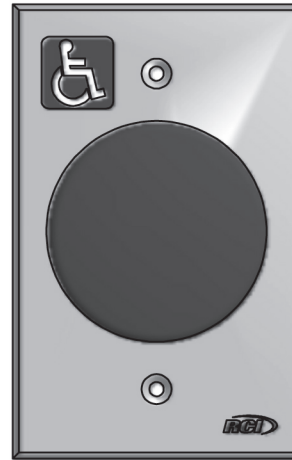


*In or Out... we make it Easy!*

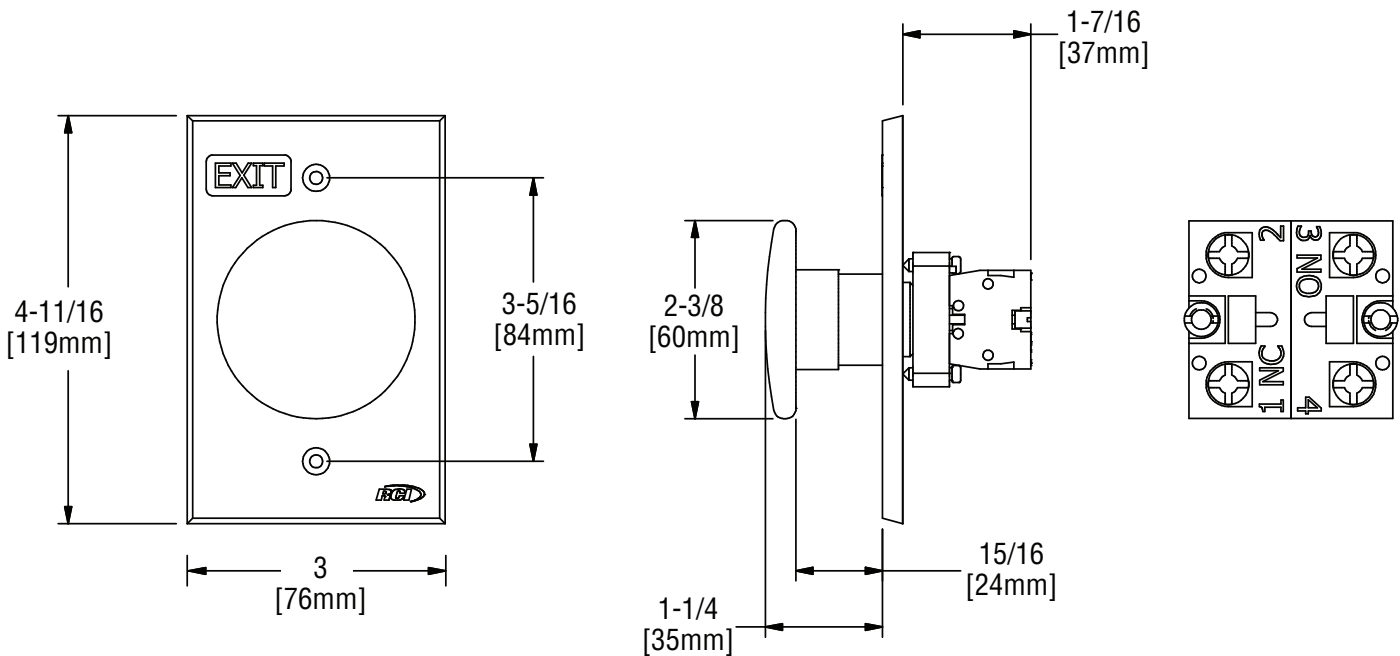
990E



990H



**Note:** Exit or Handicap Label is included and positioning is determined by the installer



Description	Switch Mode	Switch Configuration	Switch Rating	Standard
990-MO Mushroom	Momentary Action	1 x SPST N/O & 1 SPST N/C	5A @24V UL/CSA	28 or 40 with Red/Blue/Green Cap
990-MA Mushroom	Maintained Action	1 x SPST N/O & 1 SPST N/C	5A @24V UL/CSA	28 or 40 with Red/Blue/Green Cap
990-TD Exit Button	Adj. Delay 1 sec - 34 hrs	DPDT N/O & N/C	5A @24V UL/CSA	28 or 40 with Red/Blue/Green Cap

**NOTE:** Specifications are subject to change without notice. N/C – Normally Closed; N/O – Normally Open