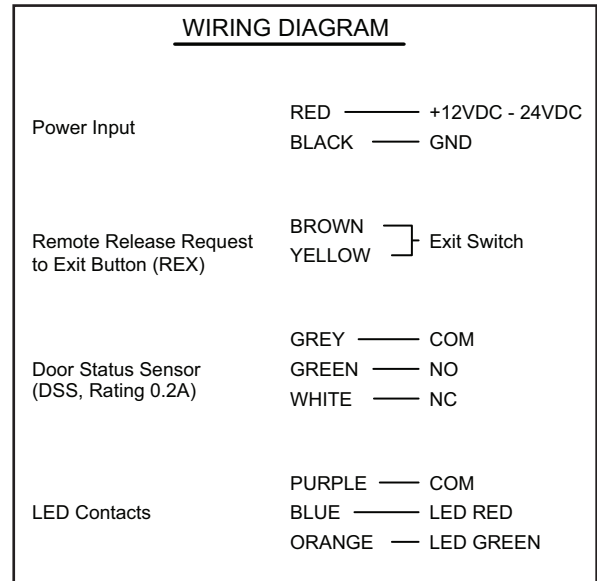




*In or Out... we make it Easy!*

## Instructions

1. Choose lock position and determine vertical centerline of the doorjamb.
2. Transfer this centerline and the horizontal centerline to door.
3. Prepare the doorframe and door as per template drawing.
4. With metal frames and doors, install the "no-weld" universal mounting brackets that are included in the kit.
5. Make sure to countersink the screw holes as per Figure 1 dimensions.
6. For wooden doors and frames hollow out the frame to the proper depth for the deadbolt assembly and drill an access hole for wiring and LED.
7. Prior to closing door, ensure all wiring is completed as shown in wiring diagram to prevent possible lockout.
8. Attach the strike to the door making sure to recess the faceplate and sensor.



## Specifications

Insert Dimensions	1-3/8" D x 8-1/4"H x 1"W (35.0mm D x 209.6mm H x 25.4mm W)
Strike Plate Dimensions	1/4" D x 3-5/8"H x 1"W (6.5mm D x 91.7mm H x 25.4mm W)
Bolt Dimensions	1/2" Diameter x 9/16" throw (12.7mm Diameter x 14.5mm throw)
Operating Voltage	12-24VDC
Mode of Operation	Fail Unlocked 3308 or Fail Locked 3108
DSS Output	COM, NO, NC Door Status Sensor, Max 0.2AMP @ 30VDC
Current Consumption	<b>for 12VDC</b> In Rush: 1.15A Normal: 0.25A / <b>for 24VDC</b> In Rush: 0.62A Normal: 0.14A
Operating Temperature	14 to 104°F (-10 to 40°C)
LED	Purple Wire: COM                      Blue Wire: RED LED                      Orange Wire: GREEN LED
Request to Exit Input	NO, momentary contact. Bolt will remain retracted as long as Brown Wire and Yellow Wire are contacted
Relock Time Delay	0, 3, 6, or 10 sec

### Bi-Color LED Status

Extend Successfully	Green blinks every 5 seconds
Wait for Extend	Red blinks fast
Delay Period	Red blinks slowly
Wait for Delay Start	Red on (B Setting only)
Bolt Remains Retracted	Red/Green blinks alternately

### Sounder Status

Extend Successfully	Beep! Beep!
Extend Fail	Beep!...Beep! 10 Seconds
Retract Successfully	Beep!

# Electric Deadbolt Installation Instructions (Continued)

## Operation Description

Time Delay Settings: FL & FUL

Mode "A" = Unlock Timer 0-10 sec. Instant relock upon closing door.

Mode "B" = Unlock timer 0-10 sec. Delayed relock upon door closing (= to unlock time)

0 sec: approx. 3-second unlock, instant relock in Mode "B".

3 sec: 3 second delay relock

6 sec: 6 second delay relock

10 sec: 10 second delay relock

NOTE: Power must be cycled when the time delay is changed otherwise previous setting applies.

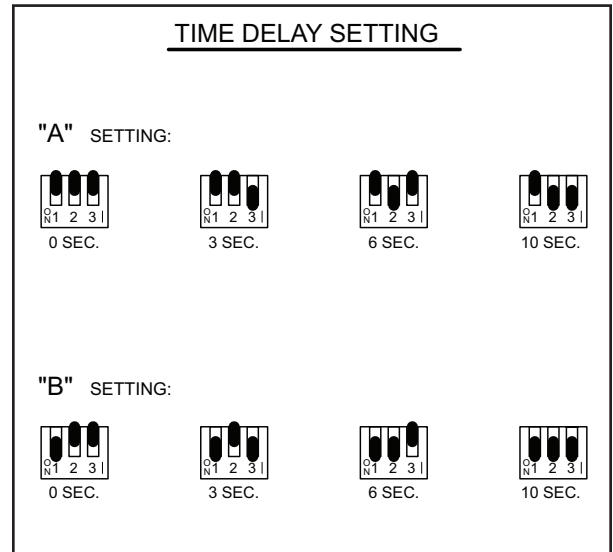


Figure 1. Installation

Figure 2. Dimension

