



4.5"/6" Round Escutcheon

In or Out... we make it Easy!®

Description

RCI's Escutcheon is designed to provide an attractive mounting box for 4.5" and 6" round pushplates. It is made of durable 304 stainless steel to match RCI's 4.5" and 6" round pushplate. It can be surface-mounted directly to a wall, or attached to a single-gang or double-gang box. The 6" pushplate can also be attached to a 4x4 electrical box.

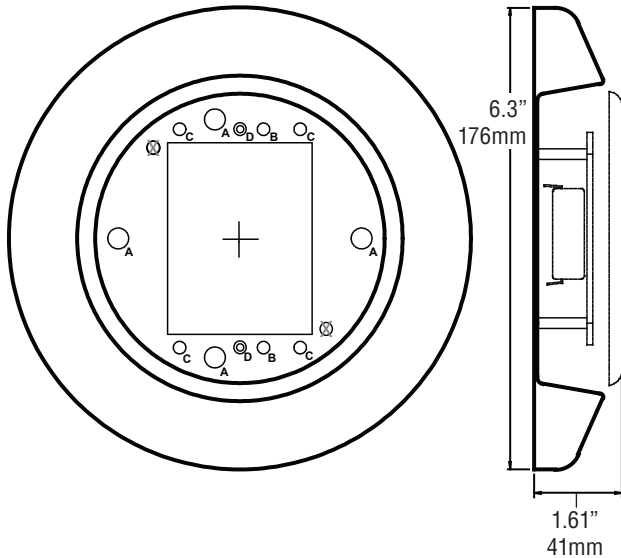
⚠ Precautions

- Shut off all power going to header before attempting any wiring procedures.
- Maintain a clean & safe environment when working in public areas.
- Constantly be aware of pedestrian traffic around the door area.
- Always stop pedestrian traffic through the doorway when performing tests that may result in unexpected reactions by the door.
- Always check placement of all wiring before powering up to insure that moving door parts will not catch any wires and cause damage to equipment.
- Ensure compliance with all applicable safety standards (i.e. ANSI A156.10 / A156.19) upon completion of installation.
- All repairs and/or component replacements must be performed by RCI. Unauthorized disassembly or repair:
 - May jeopardize personal safety and may expose one to the risk of electrical shock.
 - May adversely affect the safe and reliable performance of the product will result in a voided product warranty.




NOTE: Please deliver all installation instructions and End User Guides to the end-user upon completion of the installation.

950ESC45/950ESC6 Installation Instructions (Continued)

4.5" Installation Instructions

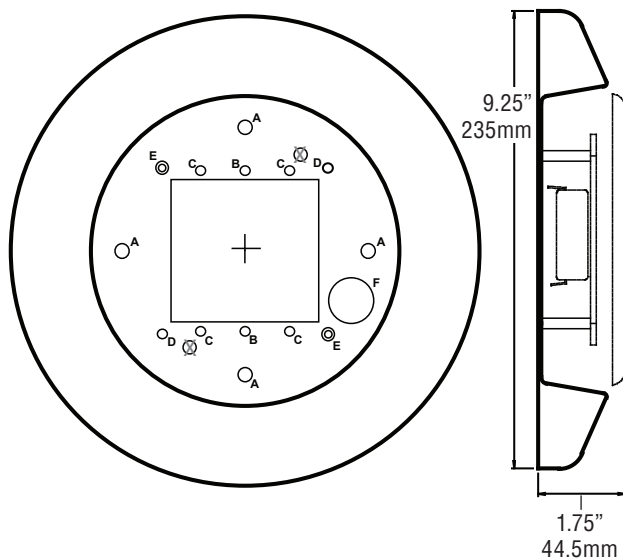


1. Fasten Escutcheon to wall surface.
2. Route wiring to pushplate switch through the large square hole.
3. Attach pushplate to Escutcheon.





Key	Qty	Screw Type	Use
A	4	 #12 X 1 7/16" Plastic Anchor	Wall
B	4		Single-Gang
C		6-32 X 1/2" Machine Screw	Double-Gang
D	*	 6-32 X 1" Socket Screw	Pushplate

NOTE: Socket screws are inserted into appropriate holes / posts for attaching the pushplate. The other two holes / posts are used to support the pushplate.

6" Installation Instructions



1. Fasten Escutcheon to wall surface.
2. Route wiring to pushplate switch through the appropriate hole (F).
3. Attach pushplate to Escutcheon.

Key	Qty	Screw Type	Use
A	4	 #12 X 1 7/16" Plastic Anchor	Wall
B	4		Single-Gang
C		6-32 X 1/2" Machine Screw	Double-Gang
D	4	 8-32 X 3/4" Machine Screw	4x4 Box
E	*	 6-32 X 1" Socket Screw	Pushplate
F	N/A	Pushplate wiring (power cable) access	

* 2 screws are included with pushplate