



In or Out... we make it Easy!®



947

4-3/4"W x 4-3/4"H x 1-7/20"D

Features & Benefits

- Rather than having 2 pushplates, the 947 series provides an aesthetically pleasing solution to the vestibule application
- Conserves energy by only opening necessary doors
- Stainless steel faceplate
- Tamper-Resistant
- An all-active plate activates with any "push" location
- Weather boot between plate and back plate for all weather applications
- Screws come in multiple sizes (#6 & #8) which fits both single and double gang mounting boxes

Highlights

- Text and logo are baked onto the surface for maximum durability
- Stainless Steel (scratch/scuff resistant)
- Tamper-Resistant
- Ideal for Vandal-Prone Areas
- Lifetime Warranty
- Can be mounted on RCI's Bollard

Dual Vestibule Pushplate

The Vestibule plate provides an aesthetically pleasing solution for vestibule applications, providing a way to open both doors independently of one another.

This pushplate is designed to fit into either double-gang or 4x4 electrical boxes. Typical uses include controlling inside and outside doors of a vestibule. The faceplates are made of 1/16" thick stainless steel for durable use. The pushplate may be hard wired to the door operator or connected to one of RCI's line of radio-controlled transmitters.

Applications

- Handicap Areas
- Vandal-Prone Areas
- Vestibules
- Storefront
- Commercial
- Industrial
- Health Care

Technical Specs

- 16 gauge, 304 2B Stainless steel faceplate
- 1/8" thick, Aluminum backplate
- Stainless Steel 6-32 x 1" and 8-32 x 1" Allen head mounting screws
- Cherry Switch: Single-pole, 15A, COM/NO/NC contacts
- 5/64" Allen key removes both 6-32 and 8-32 mounting screws
- Powdercoat then clear coated faceplates available on certain styles
- Wire nuts



In or Out... we make it Easy!®

947 Series Mounting Options



946475FLU
Square Flush
Mount Box



946475SUR
Square Surface
Mount Box

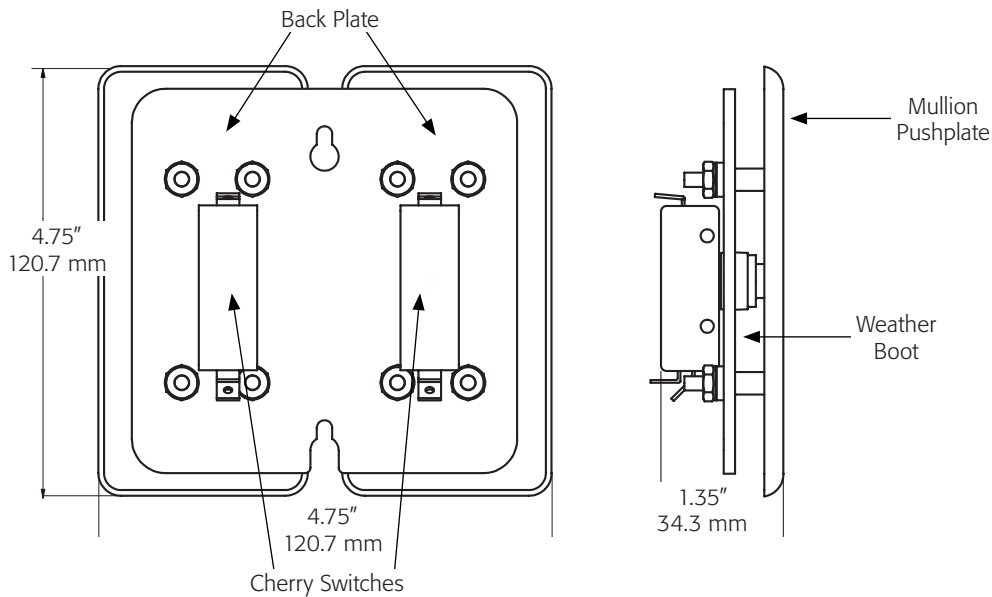


946DGPLATE
Double Gang
Mount Box



9BOLL
Bollard

Details



RCI also offers a complete line of Electromagnetic Locks, Electric Strikes, Power Supplies, Switches, Keypads & Readers, Exit Devices, Systems & Door Hardware.