



*In or Out... we make it Easy!®*



**941HP**  
1-1/2"W x 4-3/4"H x 1-3/10"D  
(38.1mm x 120.65mm x 33.02mm)



**941HPBLU**  
1-1/2"W x 4-3/4"H x 1-3/10"D  
(38.1mm x 120.65mm x 33.02mm)



**941H**  
1-1/2"W x 4-3/4"H x 1-3/10"D  
(38.1mm x 120.65mm x 33.02mm)



**941HBLU**  
1-1/2"W x 4-3/4"H x 1-3/10"D  
(38.1mm x 120.65mm x 33.02mm)



**941P**  
1-1/2"W x 4-3/4"H x 1-3/10"D  
(38.1mm x 120.65mm x 33.02mm)

## Features & Benefits

- Narrow design makes an easy application on guide rails and swing doors
- Beveled edges provide a tamper and vandal resistant solution
- Universal touch area at any "push" location
- Stainless steel finish is scratch/scuff resistant and will not deteriorate or rust
- Text and logo are baked onto the surface for maximum durability
- Available in Brushed Stainless Steel or Blue

## Highlights

- Debossed and Filled Exit & Handicapped
- Legends
- Stainless Steel
- Tamper-Resistant
- Ideal for Vandal-Prone Areas
- Lifetime Warranty

## Mullion Pushplates

The Mullion Pushplate is designed to fit neatly into an RCI mullion pushplate box and is a practical solution to guide rail applications.

## Options

HPMICRO . . . Handicap/ Push To Open Microswitch  
HMICRO . . . . . Handicap Microswitch

## Optional Mounting Accessories

941SUR . . . . . Surface Mount Box  
941FLU . . . . . Flush Mount Box

## Applications

- Handicap Areas
- Vandal-Prone Areas
- Vestibules
- Storefront
- Commercial
- Industrial
- Health Care

## Finishes

32D . . . Brushed Stainless Steel (Standard)  
BLU . . . . . Blue

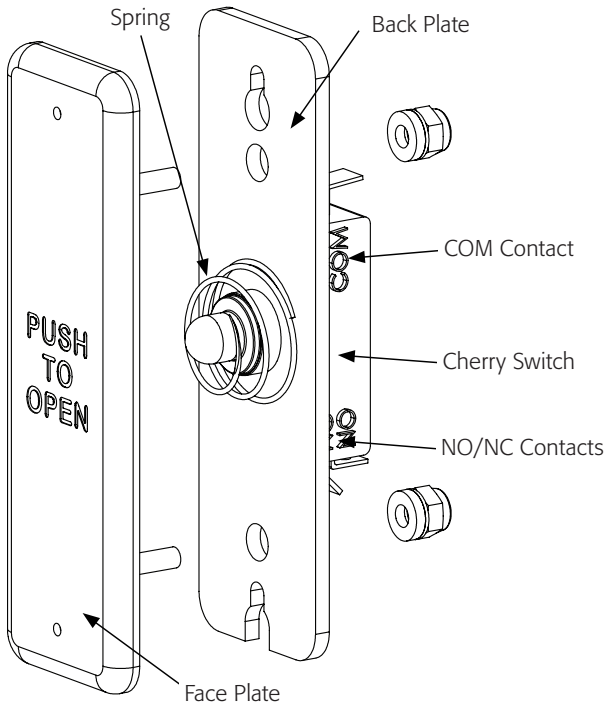
## Technical Specs

- 16 gauge, 304 2B Stainless Steel Faceplate
- 1/8" thick, Aluminum Back Plate
- Stainless Steel 6-32 x 1: Allen head mounting screws
- Cherry Switch: Single-pole, 15A, COM/NO/NC contacts

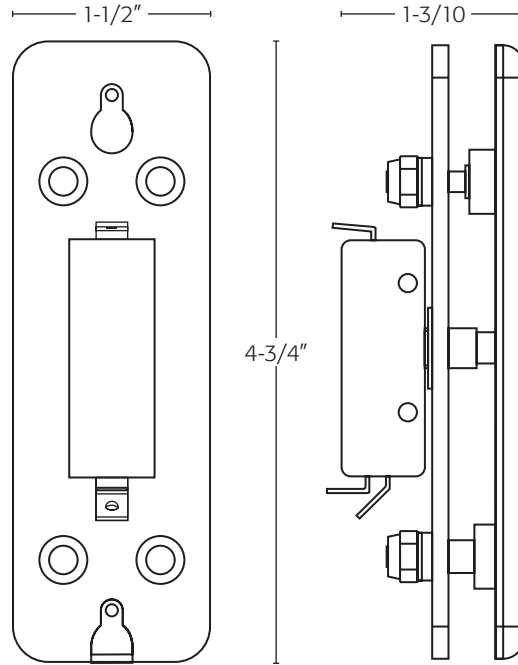


*In or Out... we make it Easy!®*

### Components



### Details



RCI also offers a complete line of Electromagnetic Locks, Electric Strikes, Power Supplies, Switches, Keypads & Readers, Exit Devices, Systems & Door Hardware.