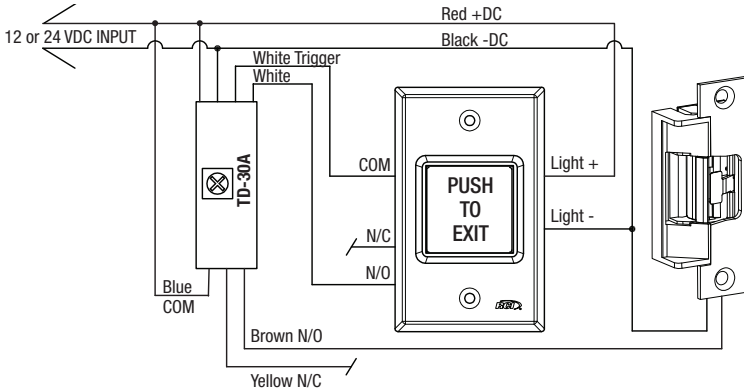




Typical Installation for TD-30A ADJUSTABLE RELOCK TIMER with Fail Secure Strikes

TD-30A is adjustable from .1 - 30 seconds



- Both timers are powered continuously
- Voltage for both timers is 12 to 24 VDC
- Each push on exit button will restart the delay period.
- The trigger is connected to a N/O push button
- Double sided tape is provided to position the timer inside the switch junction box.

Typical Installation for TD-30 FIXED RELOCK TIMER with Electromagnetic Lock for Access Controlled Egress Doors with 30 Second Minimum Unlock Requirement

