



*In or Out... we make it Easy!®*

(Changeable Cover)



**9320**

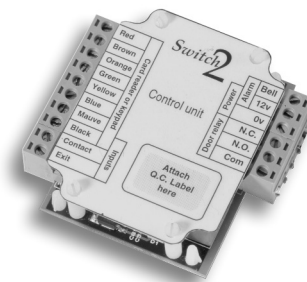
Easy Read-Prox® Slimline  
(self-contained)  
1-1/2"W x 3-1/16"H x 1/2"D  
(38.0mm x 78.0mm x 12.5mm)

(Changeable Cover)



**9321**

Easy Read-Prox® Slimline with remote control board  
(for higher security or exterior applications)  
1-1/2"W x 3-1/16"H x 1/2"D  
(38.0mm x 78.0mm x 12.5mm)



## Features & Benefits

- Single stand-alone low-cost solution
- Accepts up to 10,000 users
- Programs in seconds
- Efficient, flexible and secure
- Fast and easy to install
- Aesthetically pleasing design
- Keyfobs or proximity cards are available, held in a convenient 10-token starter pack for safekeeping. (Sold separately.)
- Tokens are powered by the reader and do not have batteries.
- Changeable Cover Design (Black and White)
- **Keyfobs** – Small, readily accessible and can be attached to a key ring. Read range – up to 1-9/16" (40mm)
- **Prox Cards** – Vertical slot for badging or conveniently fits in wallet. Read range – up to 2-3/8" (80mm)



Starter Pack, Keyfobs or Prox Cards

## Easy Read-Prox® Slimline

The Easy Read-Prox® Slimline version controls access of up to 10,000 users. All users can be individually voided without the user's token.

The Slimline features electronics sealed in a water-resistant resin inside a tough UV stable ABS housing (9320). The wiring is sealed into the housing. Keyhole mounting backplate allows for easy and secure installation.

The superb aesthetics of this reader make it popular with architects and other building specifiers.

## Accessories

- 932-10CP** .....Encoded Card Token Starter Pack 10-count (includes wallet and programming cards)
- 932-10KP** .....Encoded Keyfob Token Starter Pack 10-count (includes wallet and programming cards)
- 932-PEC** .....Enrollment Card+ (to add additional sites)
- 932-DTP** .....Desktop Programmer Kit (for unencoded cards and fobs)
- 932-10UKPB** .....Unencoded Keyfob Token† 10 pack
- 932-25UKPB** .....Unencoded Keyfob Token† 25 pack
- 932-50UKPB** .....Unencoded Keyfob Token† 50 pack
- 932-10UCPB** .....Unencoded Cards† 10 pack
- 932-25UCPB** .....Unencoded Cards† 25 pack
- 932-50UCPB** .....Unencoded Cards† 50 pack
- 9310RB** .....Relay Board 12/24 VDC 10 amp

\* For higher security and exterior applications, use the 9321

† For 20 users or more a desktop programmer is recommended

## Highlights

- Ideal for exterior or higher security applications (9321)
- Surface or mullion mount
- Access validation: silent/audible/visual
- Change lock mode (Fail Locked/ Fail Unlocked) in seconds
- Deny access without retrieving user's token
- No separate programmer required†
- Black and White covers included

## Applications

- Interior or Exterior Doors\*
- Perimeter Doors\*
- Parking Gates\*
- Health Care
- Institutional
- Restricted Areas
- Industrial
- Commercial
- Residential



*In or Out...we make it Easy!®*

## Easy Read-Prox® Operation

### Initializing the Unit

The reader operates with a Starter Pack which contains an Enrollment Card, Fail Open Release Card (9320), Silent Operation Card, Door Open Time Card, 10 User Tokens and 10 Deletion Cards. When presented to the reader, the Enrollment Card will automatically enroll all users into the system. You do not have to program users individually. The reader will now accept the rest of the tokens contained in the pack.

### Setting "Door Open" Time

The "Door Open" time is set as the interval between the first and second presentation of the "Door Open" Time Card:

- Present the "Door Open" Time Card to the reader.
- Wait for the number of seconds you wish the door to remain unlocked.
- Present the "Door Open" Time Card again.

### Silent Operation Card

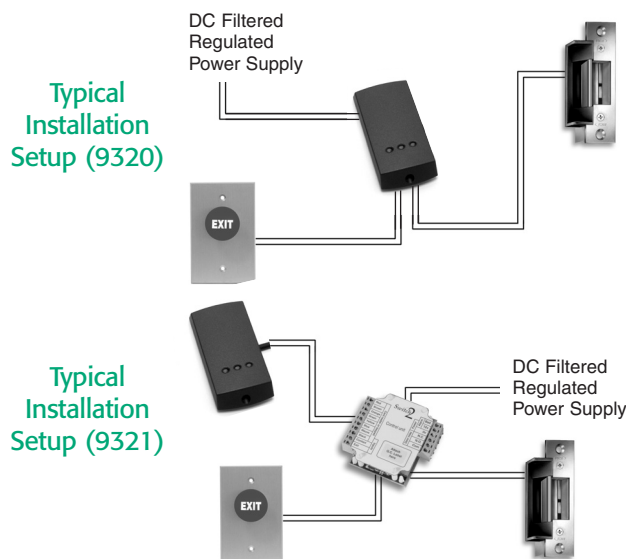
Simply present the Silent Operation Card to the reader. With the Slimline version, audible notification is turned off. Note the visual LED indication is still active (Slimline version only).

### Fail Open Release Card (9320)

- Present the Fail Open Release Card to convert to fail unlocked (fail safe) operation for electromagnetic locks.
- Present the Fail Open Release Card at any time to change back to fail locked (fail secure) operation for electric strikes.

### Deleting a User

- Present the matching Deletion Card to the reader to void user access. (User's token is not required.)



### Ordering Information

Order Code	Description
9320	Easy Read-Prox® Micro Reader
9321	Easy Read-Prox® Micro Reader/Controller
932-10CP	Encoded Card Starter Kit (10-Pack)
932-10KP	Encoded Keyfob Starter Kit (10-Pack)
932-DTP	Desktop Programmer Kit
932-UEK†	Unencoded Fobs
932-UEC†	Unencoded Cards
932-PEC	Enrollment Card†
9310RB	Relay Board

† Unencoded tokens require desktop programmer

9320/9321 Specifications	
Reader Dimensions	1-1/2"W x 3-1/16"H x 1/2"D (38.0 x 78.0 x 12.5mm)
Control Unit Dimensions	(9321) 2-3/16"W x 2-3/4"H x 7/8"D (71.0 x 70.0 x 23.0mm)
Number of Users	up to 10,000
Operating Temperature	-4 to +131°F (-20 to +55°C)
Voltage Input	Filtered, regulated 12VDC
Cable	9320—10ft cable (3meters) 9321—16.5ft (5meters)
Switching Current	(9320) 7 seconds or less – 750mA Continuous – 500 mA
Relay Rating	(9321) 5A @ 12VDC
"Door Open" Time Frame	1 to 60 seconds
Read Range (9320)	Keyfob – 1-9/16" (40mm) Prox Card – 2-3/8" (60.0mm)
Read Range (9321)	Keyfob – 2" (50.8mm) Prox Card – 4" (101.6mm)
Warranty	2 years

**NOTE:** Specifications are subject to change without notice.

If used with an electromagnetic lock, RCI recommends our 10 Series filtered, regulated 12VDC power supplies. All installations must conform to local fire codes, national building codes and life safety codes. Power source is not included.