

INSTALLATION

PDM-4 / PDM-4C

PDM-8 / PDM-8C



In or Out... we make it Easy!

PDM-4 / PDM-4C
PDM-8 / PDM-8C
Power Distribution Board

Installation and Specifications Manual

Description

The PDM-4, PDM-4C, PDM-8 and PDM-8C boards distribute a single low voltage AC or DC source into 4 or 8 outputs. The output voltage and total current available is determined by the input supply. When installed into a power supply, servicing time can be greatly reduced by the output indicator LED's. If an output fuse is blown or PTC is tripped the accompanying LED will be off, simply identifying the device connected to this output will allow for a problem to be quickly corrected. In addition to short circuit protection the input terminals also have a surge protector that can absorb a 1500Watt spike or surge to protect connected devices.

Features

- 3 Converts a single output to 4 or 8 separately protected outputs
- 3 Available with fuses (PDM-4 or 8) or PTC Circuit Breakers (PDM-4C or 8C)
- 3 Separate Green power indicator LED for each output
- 3 Power switch to shut off all devices for servicing on PDM-4 and 4C only
- 3 Circuit breakers up to 1.5A provide Class II power limiting
- 3 LED power indicator Green = DC, Red = inverted DC, Amber = AC on PDM-8 and 8C only

Installation Instructions (See FIG #1 & 2)

- 1) Mount the distribution board in a suitable location as required.
- 2) Connect input power to "IN" terminals, COM or C is negative and HOT or H is positive. (Observe proper polarity)
- 3) Connect devices to be powered to output terminals 1-4 PDM4 fig. 1 or 1-8 PDM8 fig. 2. (Observe proper polarity)
- 4) Apply power to "IN" terminals and test all connected devices.
- 5) The unit is to be powered from the model PS 10-5 power supply or a UL listed power limited power supply

Note: Total load not to exceed 5A @ 12VDC, 3A @ 24VDC

Specifications

Note: For UL listed power supply

PDM-4 and PDM-4C

Dimensions

Length:	3.752"	95.30mm
Width:	2.217"	56.32mm
Height:	0.973"	24.72mm

Electrical

Current Draw with no load: 28ma
 Current Handling -: Rated 5A @ 12VDC,
 3A @ 24VDC

PDM-8 and PDM-8C

Dimensions

Length:	4.83"	122.76mm
Width:	3.871"	98.34mm
Height:	0.922"	23.45mm

Electrical

Current Draw with no load: 63ma
 Current Handling -: Rated 5A @ 12VDC,
 3A @ 24VDC

Environmental:

Product is not for use in outdoor environments.

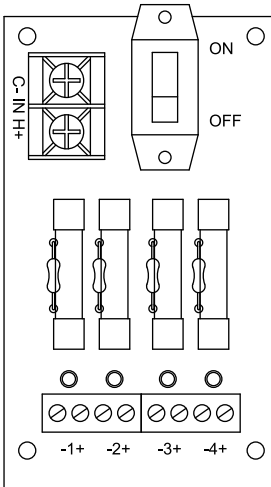


Fig. 1 – PDM-4 (Shown)

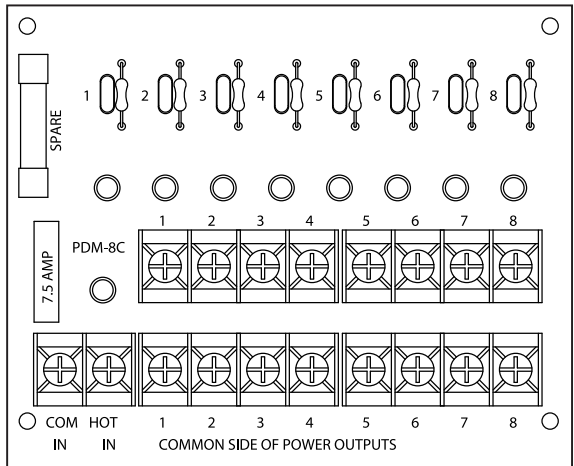


Fig. 2 PDM-8C (Shown)

PDM-4 / PDM-4C & PDM-8 / PDM-8C

Troubleshooting Guide

Problem	Solution
Output LED's do not turn on when powered.	<ul style="list-style-type: none">- If using DC power, check input polarity. The "COM IN" terminal should be negative (-) and the "HOT IN" terminal should be positive (+).- Check that input power supply voltage is present and current capacity is sufficient for total current draw of all connected equipment.- Ensure that PDM-4 power switch is set to "ON".
Circuit breaker (PTC) on one output does not appear to be resetting.	<ul style="list-style-type: none">- The PTC circuit breakers in the PDM-4C boards are Positive Temperature Coefficient circuit breakers. These types of devices will reset automatically after the fault is removed but may require several minutes to do so.

Notes

For Technical Support:

1-800-265-6630 or 519-621-7651 www.rutherfordcontrols.com