



# 10-2 SERIES POWER SUPPLY

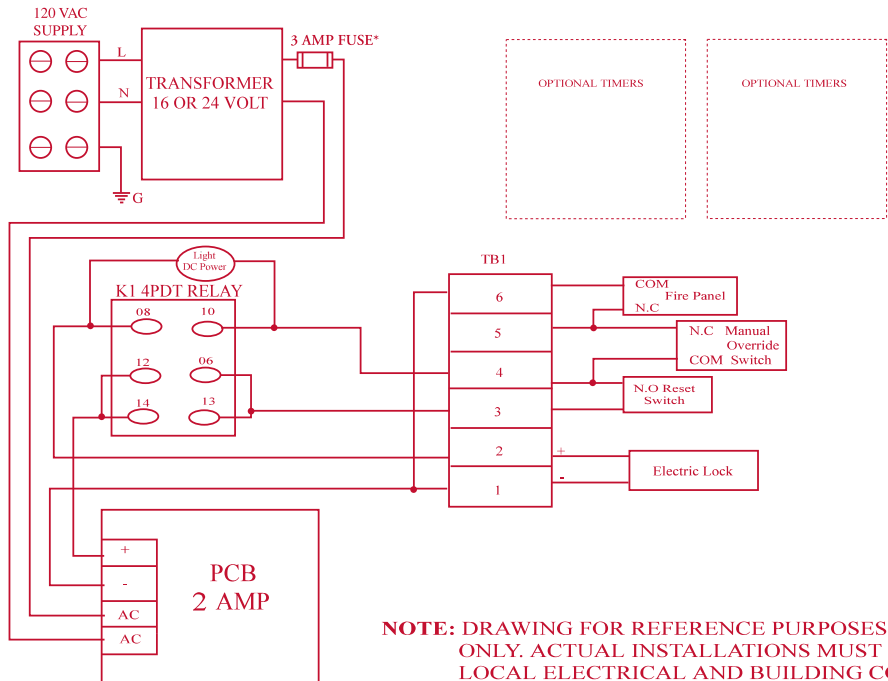
VOLTAGE             12V     24V

TIMERS

TD1     TD2     TD3     TD4

BATTERY BACKUP

4 AH     7 AH



**NOTE:** DRAWING FOR REFERENCE PURPOSES ONLY. ACTUAL INSTALLATIONS MUST FOLLOW LOCAL ELECTRICAL AND BUILDING CODE.

\* REPLACE FUSE WITH SAME TYPE AND RATING. (3 AMP MAX.)

PS10-2PS  
R01/06DA