



10 SERIES POWER SUPPLY

VOLTAGE 12V 24V

TIMERS

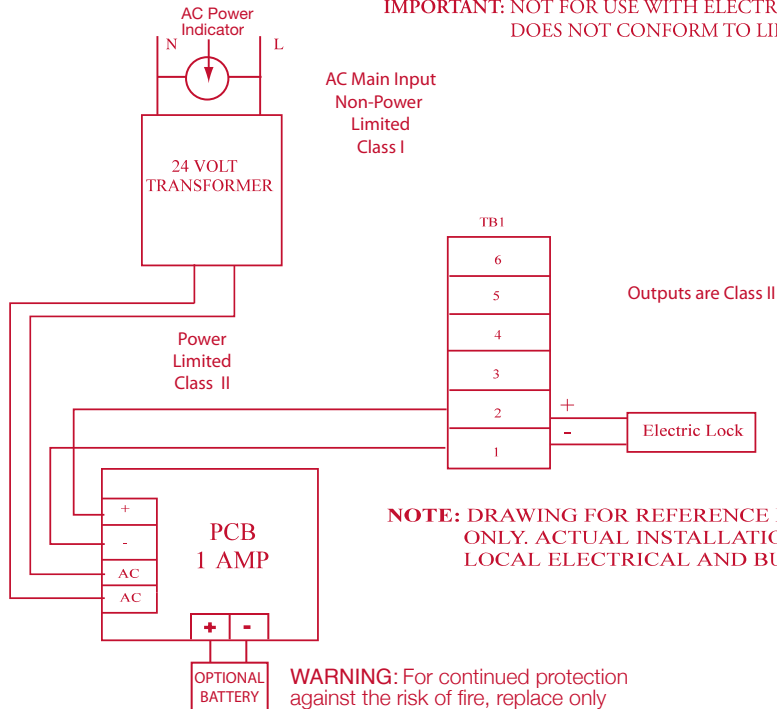
TD1 TD2 TD3 TD4

BATTERY BACKUP

4 AH 7 AH

MODEL	1012NR	1024NR
Input	120 V, 60Hz	
Output	12V, 600 mA, 40 VA	24V, 775 mA, 40 VA

**IMPORTANT: NOT FOR USE WITH ELECTROMAGNETIC LOCKS
DOES NOT CONFORM TO LIFE SAFETY CODES.**



NOTE: DRAWING FOR REFERENCE PURPOSES ONLY. ACTUAL INSTALLATIONS MUST FOLLOW LOCAL ELECTRICAL AND BUILDING CODE.

WARNING: For continued protection against the risk of fire, replace only with the same type and rating of fuse

PS10-1NR

PCN090006
R04/10SH