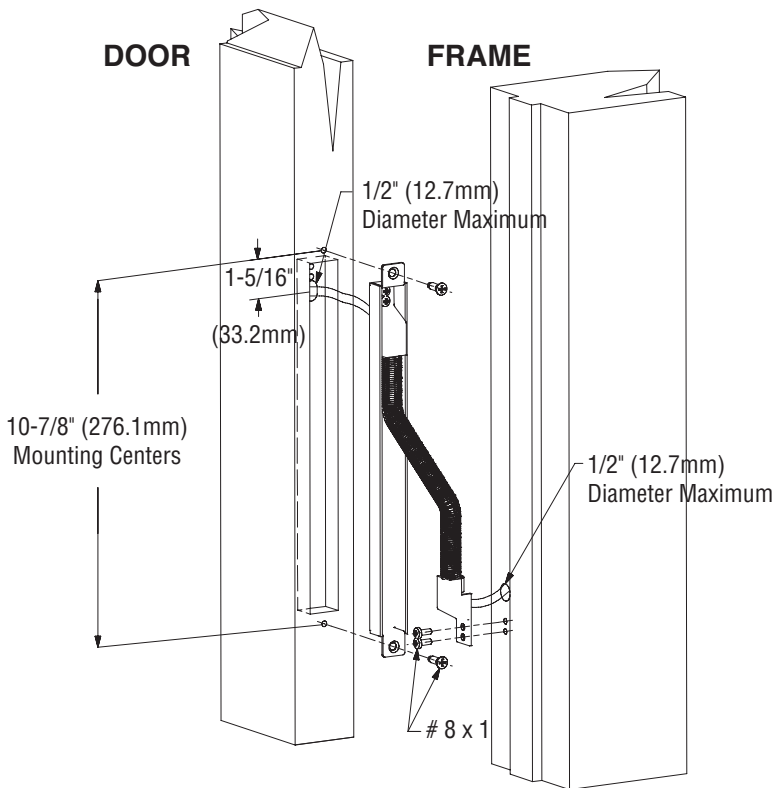




In or Out... we make it Easy!

9512 Instructions

1. Determine the location of the transfer case on the door marking the pocket length and the mounting hole centers.
2. Create a 7/8" wide x 5/8" deep pocket for the transfer case in the door.
3. Position the transfer case in the pocket to determine the location of the wire hole on the frame.
4. Drill a 1/2" diameter (maximum) wire hole in the frame as marked and also in the door as shown below.
5. Run wire cable through the flexible coil.
6. Secure the transfer case to the door with the #8 x 1" wood/sheet metal screws provided.
7. Secure the flexible coil to the frame using the #8 x 1" wood/sheet metal screws provided.



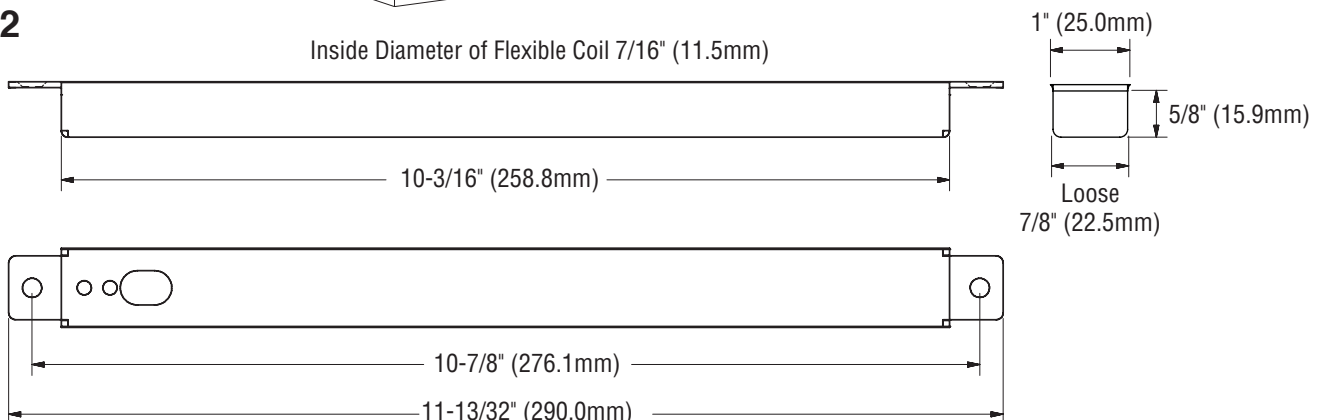
NOTE: Model **9512** will accommodate outswinging doors **up to 120°**.

If outswing is larger than 120° please order model 9513.

It is recommended that preparation for wires, etc. for all surface-mounted models be done on-site. Conduits supplied by others.

DO NOT SCALE, SPECIFICATIONS SUBJECT TO CHANGE WITHOUT NOTICE.

9512



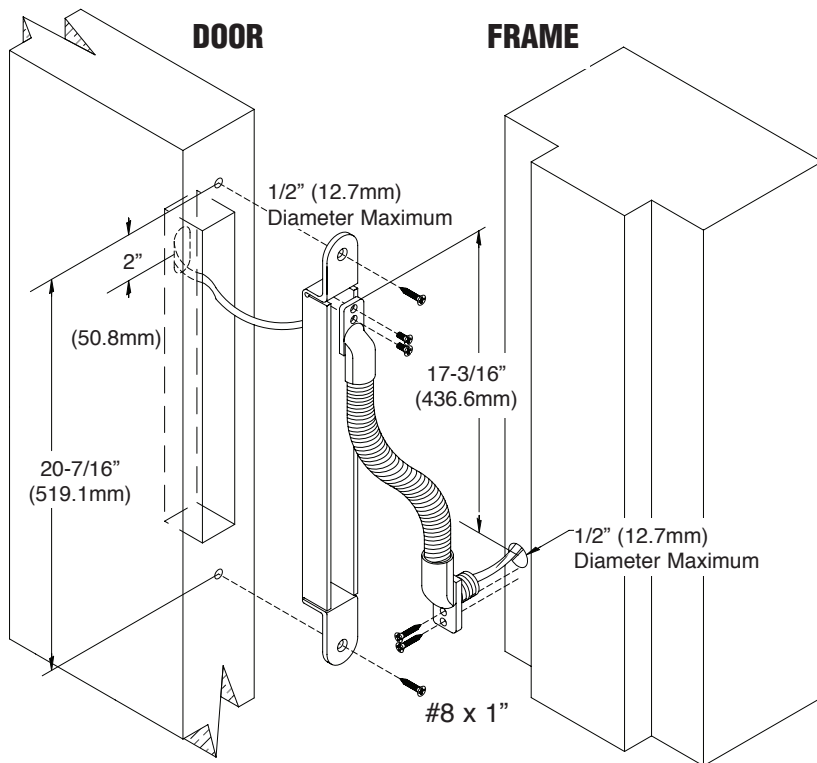


RUTHERFORD CONTROLS
dormakaba Group

In or Out... we make it Easy!

9513 Instructions

1. Determine location of bridge transfer for installation on the door.
2. Cut out preparation ON DOOR per diagram (18-7/8" L x 7/8"W x 5/8"D).
3. Drill holes for the wire in frame and door as shown (1/2" diameter maximum).
4. Run wire cable through the flexible coil.
5. Insert the transfer case into the pocket cut into door.
6. Fasten the transfer case to the door using the two #8 x 1" wood/sheet metal screws provided.
7. Fasten upper end of flexible coil into transfer case using two M4x4mm screws provided.
8. Fasten the end of the flexible coil to the frame as shown, using 2-#8 x 1" wood/sheet metal screws provided.



NOTE: Model **9513** will accommodate outswinging doors with a **swing of 120° or greater**.

If swing is smaller than 120° please order model 9512. It is recommended that preparation for wires, etc. for all surface-mounted models be done on-site. Conduits supplied by others.

DO NOT SCALE, SPECIFICATIONS SUBJECT TO CHANGE WITHOUT NOTICE.

9513

