

INSTALLATION

3360LM



Fail Unlocked Glass Door Cushion-Lok®

In or Out... we make it Easy!

Instructions

1. Prepare lock for conduit or wire entry.
2. Determine vertical or horizontal location of lock. Directly above the door pull or 50% of the door's height is normally best.
3. Coat interior surfaces of aluminum extrusions with the adhesive provided wherever contact with glass will occur.
4. Slide electric lock on glass and dead bolt onto the glass door. Support in place until adhesive has cured (approx. 8 hrs).
5. Install decorative wire mold if desired. (See your electrical supplier.)
6. Select the voltage and connect DC power to terminals 1 & 2 as per Fig.1.

Latch Monitor Contacts: Connect monitoring wire to:

Terminal 3 - Normally Closed

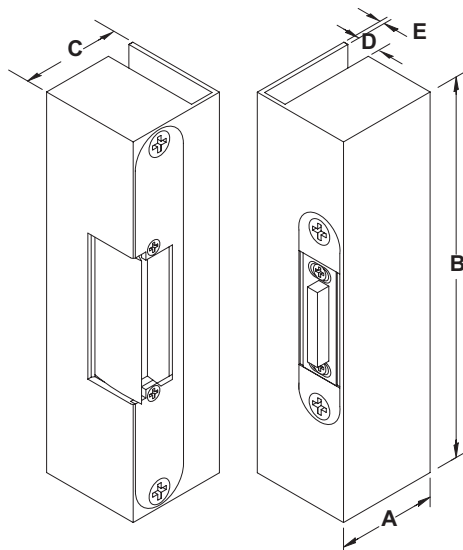
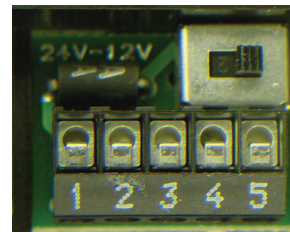
Terminal 4 - Normally Open

Terminal 5 - Common

(Monitor Switch contacts shown with door open)

7. Install strike into aluminum housing.

Fig.1



Dimensional Detail					
Measurements	A	B	C	D*	E
Fractional Inches	1-9/16	5-11/16	1-25/32	13/32	5/32
Decimal Inches	1.575	5.709	1.772	0.394	0.157
Metric mm	40.0	145.0	45.0	10.0	4.0

NOTE: Site dimensions are the installer's or frame manufacturer's responsibility. Horizontal centerlines are located by bolt location. * Also available in 12mm (15/32") Not to scale. Specifications are subject to change without notice.

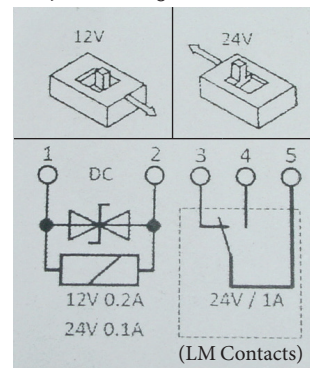


Fig.2

Wiring for Dual Voltage shown

All measurements assume a 1/8" gap between door and frame.

CUSHION-LOK™ FOR TEMPERED GLASS DOORS WITH NO FRAME

