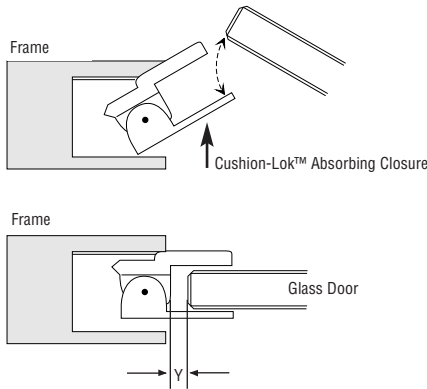




Fail Unlocked Tempered Glass Door Cushion-Lok™

In or Out... we make it Easy!

Instructions

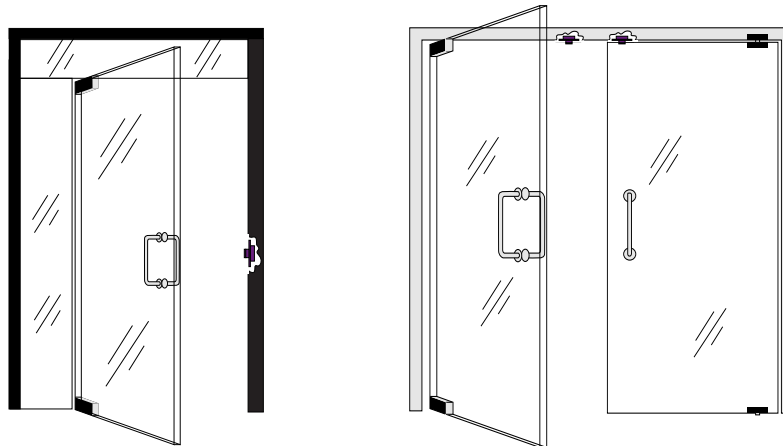


IMPORTANT The lock is never to be used as a doorstop. If the doorframe does not have an existing frame stop, install auxiliary frame stops in appropriate locations after installation of lock. To ensure proper locking, doorstops must not prevent door from fully engaging lock.

Dimension "Y" should be no more than 1/8" (3.0 mm) to ensure successful operation of the lock Monitor Switch option.

Be careful that cavity preparation "L" is deep enough to allow full movement of the Cushion-Lok™ pivot, so that damage to the door is completely avoided.

- 1) Choose lock position. Lock can be mounted in standard vertical position or mounted horizontally in overhead frame.
- 2) With door in fully closed position, determine position of back of glass. Measure 11/64" (4.3mm) forward from this line (direction of door swing) and mark position. This will be the vertical centerline of the lock.
- 3) Prepare the doorframe as per template drawing. With metal frames, install "no weld" universal mounting bracket provided per instructions.
- 4) Select the voltage and connect DC power to terminals 1 & 2 per the schematic on the lock.
- 5) Install lock onto frame, securing it with the two #12-24 machine screws.



Model 3371 Cushion-Lok may be used with single or pairs of tempered glass doors, with or without sidelights, transom panels or aluminum rails, where aluminum or metal frames are specified.

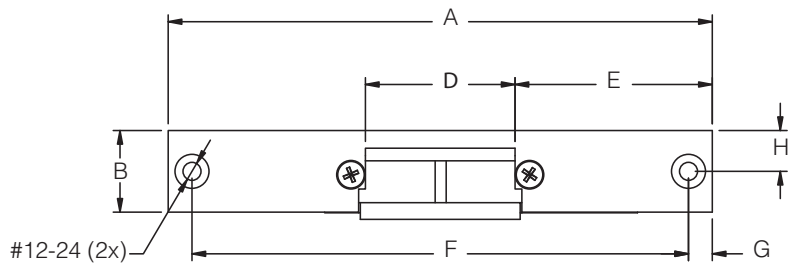
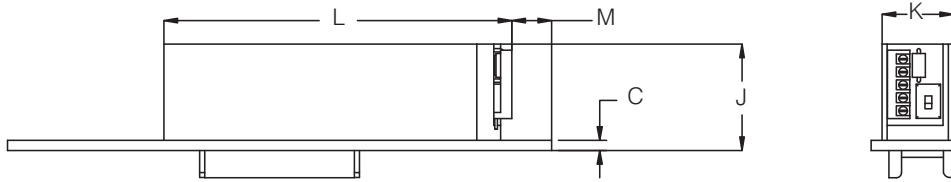
Specifications

Model	Mode	Voltage	Current	Duty	Sound	Amps	Ohms
3371	Fail Unlocked	12V	DC	Continuous	Silent	0.21	58
3371	Fail Unlocked	24V	DC	Continuous	Silent	0.11	230

Fail Unlocked = Fail Safe = PL

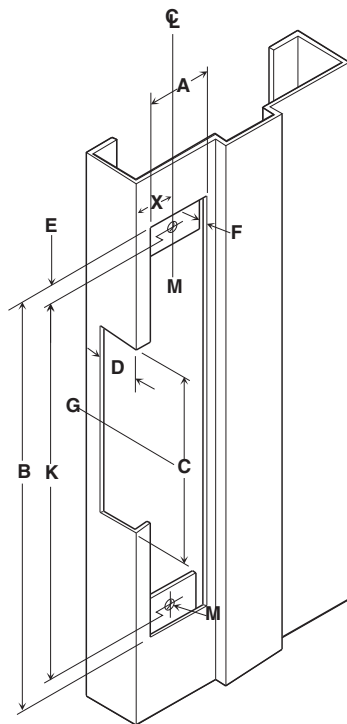
Continuous duty = Energized 1 min. or more

3371 Installation Instructions (Continued)



Profiles

Measurement	A	B	C	D	E	F	G	H	J	K	L	M
Fractional, inches	6-5/16	15/16	1/8	1-23/32	2-9/32	5-3/4	9/32	15/32	1-7/32	13/16	4-1/32	15/32
Decimal, inches	6.299	0.945	0.118	1.732	2.283	5.748	0.276	0.472	1.232	0.827	4.028	0.461
Metric, mm	160.0	24.0	3.0	44.0	58.0	146.0	7.0	12.0	31.3	21.0	102.3	11.7



Frame Prep

MEASUREMENT	FRACTIONAL INCHES	DECIMAL INCHES	METRIC mm
A	31/32	0.96	24.5
B	6-1/8	6.32	160.5
C	1-27/32	1.84	46.8
D	7/8	0.875	22.2
E	9/32	0.28	7.0
F	1/8	0.12	3.0
G	15/16	0.92	23.4
K	5-3/4	5.75	146.0
X	Vertical Centerline of Door Lock and Faceplate		
M	12-24	N/A	N/A

NOTE: Specifications are subject to change without notice.