



In or Out... we make it Easy!

Installations of this Vertical Rod strike qualify as “Indoor Use Only” when not continuously exposed to an outdoor environment.

Important: Adjust strike as indicated in steps 7 & 8 to ensure proper functionality. Ensure the exit device functions as intended for life safety concerns by verifying electric strike and exit device compatibility. Maximum latch projection is essential to obtain full engagement.

This product is Fail Locked only. The local Authority Having Jurisdiction shall be consulted with regard to the use of selected panic hardware to ensure emergency exit from the secured area.

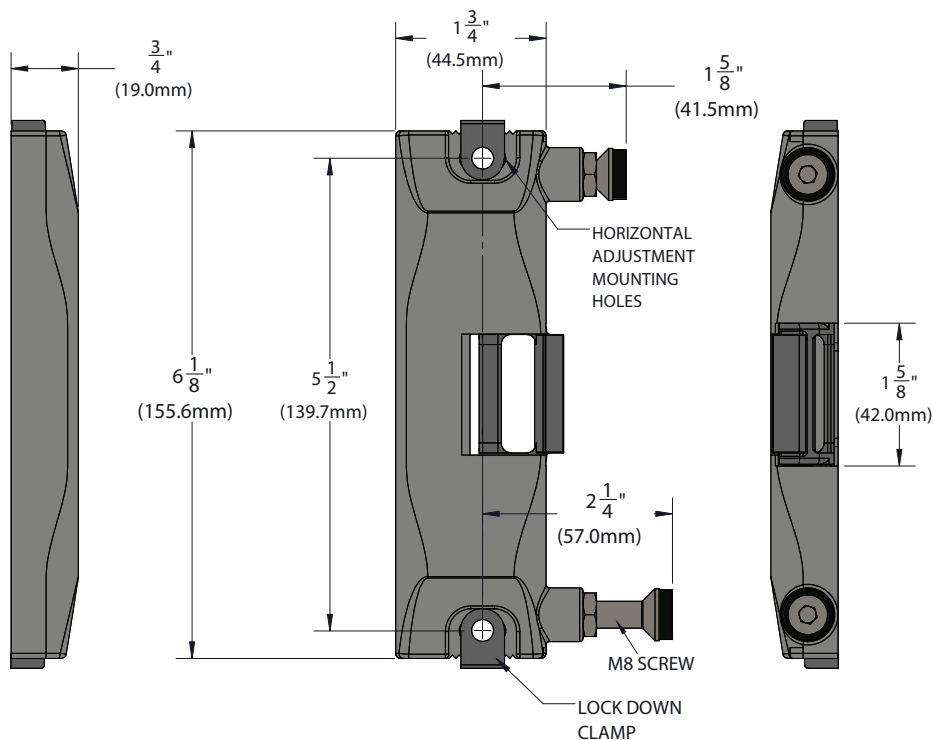
Catalog Specifications

MODE	VOLTAGE	CURRENT	DUTY	PEAK AMPS	OHMS
Fail Locked	12V	AC	Intermittent	0.20	22
Fail Locked	12V	DC	Continuous	0.45	22
Fail Locked	24V	AC	Intermittent	0.48	22
Fail Locked	24V	DC	Continuous	0.24	89
Fail Locked	11-16V	AC	Intermittent	0.18-0.27	22

UL 294 Performance Ratings:
Access Control Line Security : Level I
Destructive Attack : Level I
Endurance : Level IV
Standby Power : Level I

Fail Locked = Fail Secure = FL AC = Alternating Current DC = Direct Current
 Intermittent Duty = Energized less than 1 minute with 1:5 duty ratio Continuous Duty = Energized 1 minute or more

Dimensional Details



Instructions

1. Close the door and place the template under the retractable latch.
2. Use projection of latch to align the vertical and horizontal centerline of the strike.
3. Center punch the two mounting holes along with the wire access hole shown on the template.
4. Open the door and remove the template.
5. Make wire connections from the power source to the appropriate wire harness supplied. Use 12VDC wire harness for 12VDC, 12-24VAC or 11-16VAC input power. Use 24VDC wire harness for 24VDC input power only.

NOTE: Overheated or burnt coils caused by incorrect input voltage / wire harness combinations will not be covered under warranty

6. Drill the wire access hole, and drill and tap the two mounting holes (1/4-20 UNC) according to the template.
7. Mount the strike using the Lock Down clamps and 1/4-20 UNC screws provided. Adjust electric strike if needed until the roller latch is fully engaged.
8. Adjust the M8 screws along with the nuts provided until the door makes contact with the rubber washer on top of them, then secure them by tightening the nuts towards the body of the strike.
9. Tighten the mounting screws and check operation. Adjust the projection of the roller latch as required.

Latch Projection

