

INSTALLATION

F5164 / 5364
F5164LM / 5364LM

FOR MORTISE LOCKSETS
(FIRE RATED AND NON-FIRE RATED)



In or Out... we make it Easy!

Important

- The strike and all devices connected to it, shall be installed with wires less than 30m in length.
- When installing fail locked model F5164, the local Authority Having Jurisdiction shall be consulted with regards to the use of listed hardware to ensure emergency exit from the secured area.
- Installations of this No Cut strike, qualify as “Indoor Use Only”, when not continuously exposed to an outdoor environment.

Catalog Specifications

MODEL	MODE	VOLTAGE	DUTY	STEADY STATE CURRENT
F5164, F5164LM	Fail Locked	12-24VDC ± 10%	Continuous	0.026 Amp*
5364, 5364LM	Fail Unlocked	Auto-Sensing		

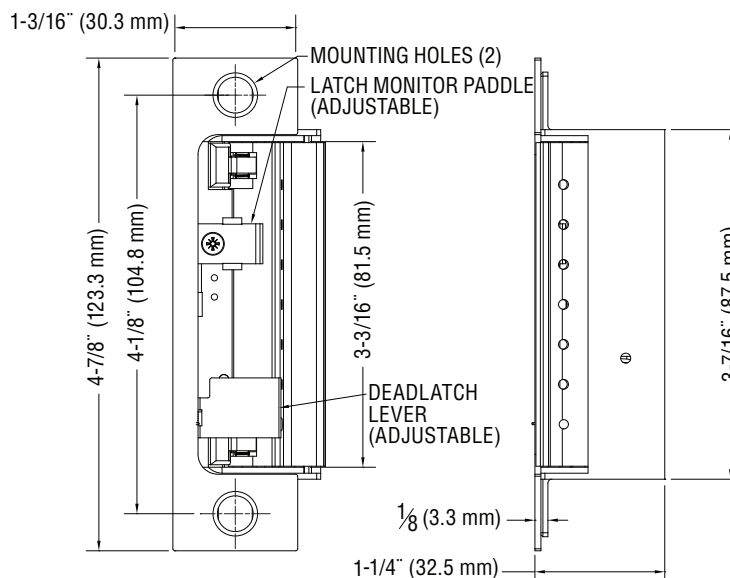
DC = Direct Current *0.350 Amp peak

Electrical Latch Monitor (LM) Specification:

SPDT switch, 2A, 24VDC, resistive load

Note: Contacts identified on the harness sleeve are indicated with no latch present in the strike cavity.

Dimensional Details



NOTE: Not to scale. Specifications are subject to change without notice.

Wiring Instructions for Typical Fail Locked Application

1. These strikes are designed for most frames with an ANSI cutout. If the dust box is less than 1-1/8" deep, it will need to be removed.

Make sure that the frame cutout on the front face of the frame is 1/4" deep. This is important for smooth latch exit.

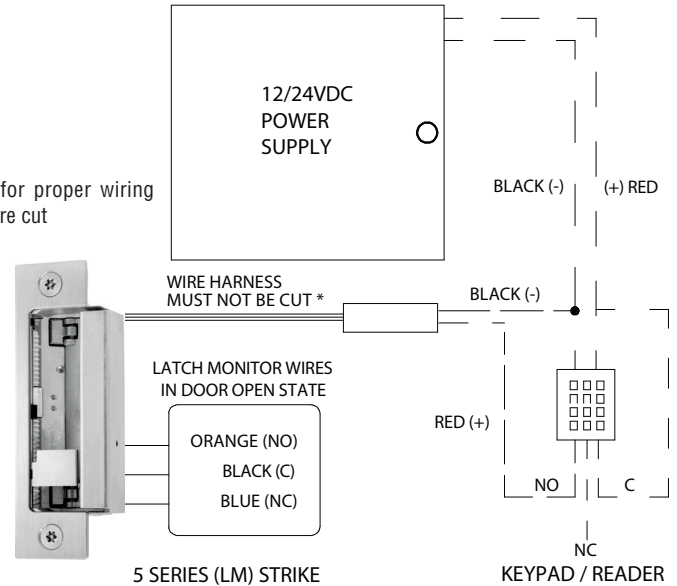
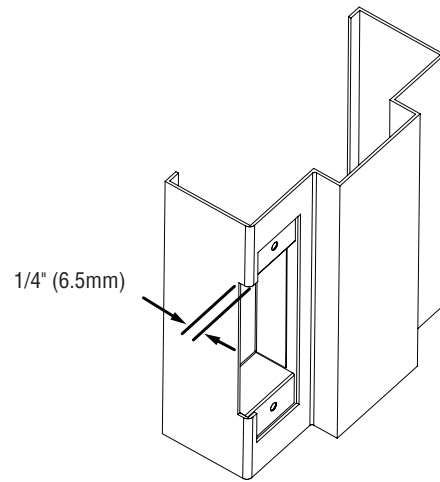
2. Drill a wire access hole to suit handing of the door
3. Make wire connections from a DC power source to the wire harness supplied.

Red: +
Black: -

* Please contact RCI for proper wiring support if these wires are cut

NOTE: Overheated or burnt PCBs caused by incorrect input voltage will not be covered under warranty. Maximum voltage must not exceed the rated voltage.

Field wiring is shown as a dashed line.
Factory wiring is shown as a solid line.



4. Mount the electric strike with the 12-24 x 3/8" screws. (Torx Drive)
5. To adjust **Deadlatch Lever**, lift deadlatch spring leg out of housing groove by reaching under the lever. Keep the spring leg pulled out of the housing groove and move the lever to correct position. Release the spring leg, and reposition the deadlatch screw on the keeper to support the Deadlatch Lever.
6. 1/8" Shim can be added onto the keeper to minimize the gap between keeper and latch in the door open/close direction.
7. To adjust the **Latch Monitor** paddle to line up with latch, loosen screw. Line up Latch Monitor paddle with the latch, and retighten screw.

