

INSTALLATION

F5114 / 5114 / 5314
F5114LM / 5114LM / 5314LM

FOR CENTERLINE CYLINDRICAL LOCKSETS
(FIRE RATED AND NON-FIRE RATED)



In or Out... we make it Easy!

Important

- The strike and all devices connected to it, shall be installed with wires less than 30m in length.
- When installing fail locked models F5114 or 5114, the local Authority Having Jurisdiction shall be consulted with regards to the use of listed hardware to ensure emergency exit from the secured area.
- Installations of this No Cut strike, qualify as "Indoor Use Only", when not continuously exposed to an outdoor environment.

Catalog Specifications

MODEL	MODE	VOLTAGE	DUTY	STEADY STATE CURRENT
F5114, F5114LM, 5114, 5114LM	Fail Locked	12-24VDC ± 10% Auto-Sensing	Continuous	0.026 Amp*
5314, 5314LM	Fail Unlocked			

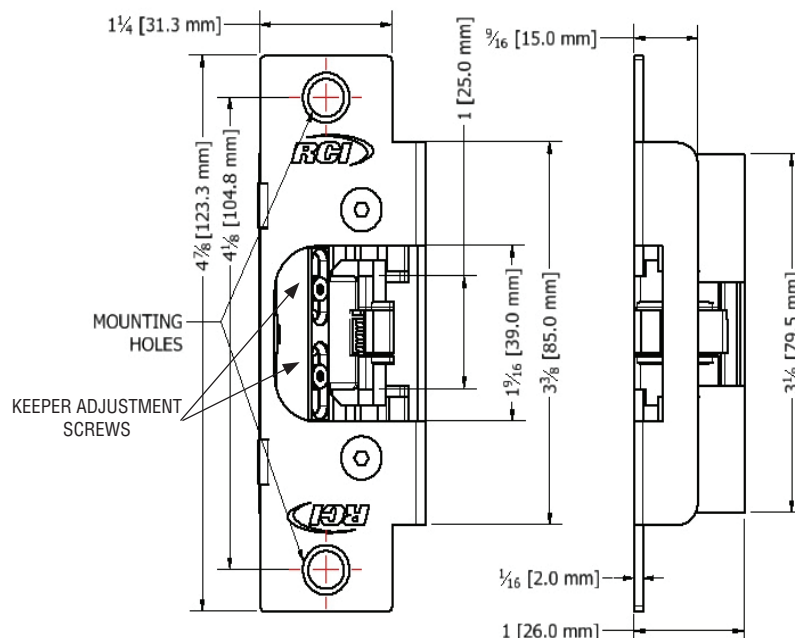
DC = Direct Current *0.350 Amp peak

Electrical Latch Monitor (LM) Specification:

SPDT switch, 0.1A 30VDC, resistive load

Note: Contacts identified on the harness sleeve are indicated with the keeper in a closed and locked condition, with no latch present.

Dimensional Details



NOTE: Not to scale. Specifications are subject to change without notice.

Instructions

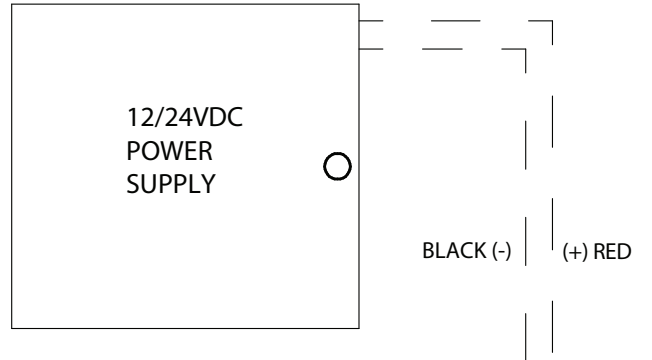
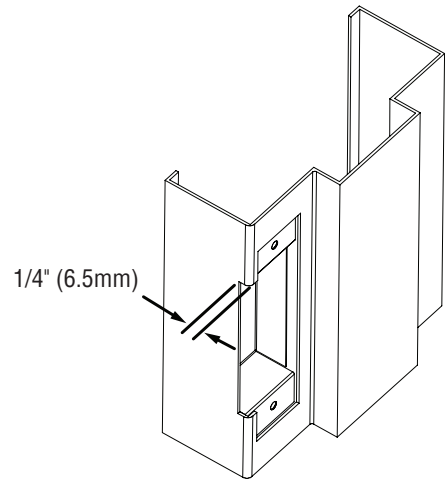
1. These strikes are designed for most frames with the ANSI cutout. If the dust box is less than 1" deep, it has to be removed.

Make sure that the frame cutout on the front face of the frame is 1/4" deep. This is important for smooth latch exit.

2. Drill wire access hole to suit handing of the door
3. Make wire connections from the DC power source to the wire harness supplied.

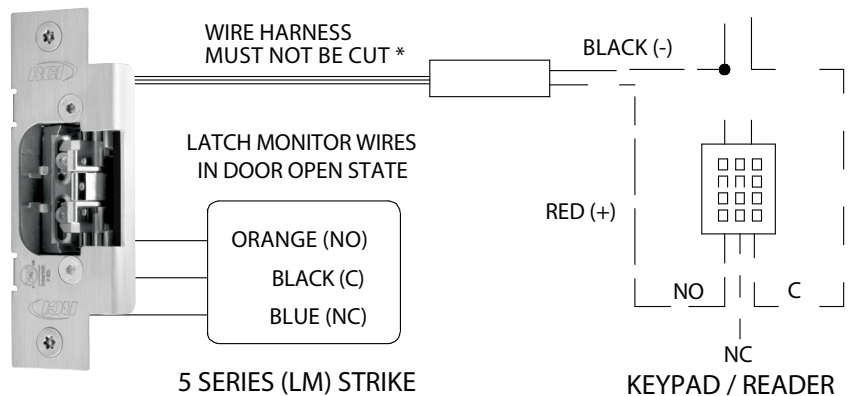
Red: +
Black: -

NOTE: Overheated or burnt PCBs caused by incorrect input voltage will not be covered under warranty. Maximum voltage must not exceed the rated voltage.



*Please contact RCI for proper wiring support if these wires are cut

Field wiring shown with dashed lines.
Factory wiring is shown with solid lines.



4. Mount the electric strike with the 12-24 x 3/8" screws (Phillips Drive or Torx Drive). Paste appropriate number of self adhesive shims (square shims with two holes) on mounting tabs to properly secure the strike on the frame.

5. Make sure the keeper center aligns with the latch center. The keeper can be adjusted vertically, by loosening the 2 keeper adjustment screws and then moving it up or down as required. Secure keeper in position by tightening the 2 keeper adjustment screws.

Keeper position default and extremes are shown.

6. Shims can be added onto the keeper to minimize the gap between keeper and latch in the door open/close direction.

