

## 5 Series Easy Mount Strike



*In or Out... we make it Easy!®*

**NO FRAME CUTTING REQUIRED!**  
Fits perfectly into standard ANSI Prep Frame



Less than 1" body depth requiring **no** modifications to the dust box (except for a wire access hole)



### 5 Series Easy Mount Strike Dimensions

4-7/8" H x 1-1/4" W x 7/8" D  
(123.8mm x 31.8mm x 22.2mm)

## Features

- No frame cutting required
- Strike body depth is less than one inch - requires no modification to the dust box
- Field selectable Fail Locked/Unlocked
- Field selectable 12 or 24VDC and 12 to 24VAC
- Vertical adjustment of 5/16" to accommodate misalignment of doors and frames
- Works with all major cylindrical lock brands with 1/2" latch projection
- Non-handed
- Plug-in wire connectors
- Optional Latch Monitor
- Mounting tabs and tamper-resistant screws included
- Brushed Stainless Steel faceplate

## 5 Series Easy Mount Strike

Designed to fit perfectly into a standard ANSI frame prep, the 5 Series Easy Mount Strikes do not require **any** frame cutting. With a strike body depth of less than one inch, no modifications to the dust box are needed either, (excluding the need for a wire access hole on the dust cover).

Simply remove the standard mechanical plate and replace it with the 5 Series Easy Mount.

The 5 Series installs easily and sits completely hidden in the door frame, delivering a clean and aesthetically pleasing, finished look.

## Options

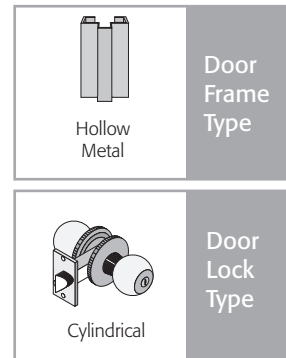
LM - Latch Monitor

## Highlights

- The smallest body size in the industry makes this strike the **easiest** to install into an ANSI cutout - with no frame cutting or modifications to the dustbox required.
- UL Listed for 1500 lbs static strength
- 3 Year Warranty

## Applications

**For optimal performance of this strike, frame and door alignment is required**





*In or Out... we make it Easy!®*

Specifications		
Lock Mode	Field Selectable FL/FUL	
Voltage	Field Selectable 12 or 24 VDC and 12 to 24 VAC	
Faceplate Dimension	Code	Dimensions
	14	1-1/4" x 4-7/8"
Faceplate Finish	32D - Brushed Stainless Steel	

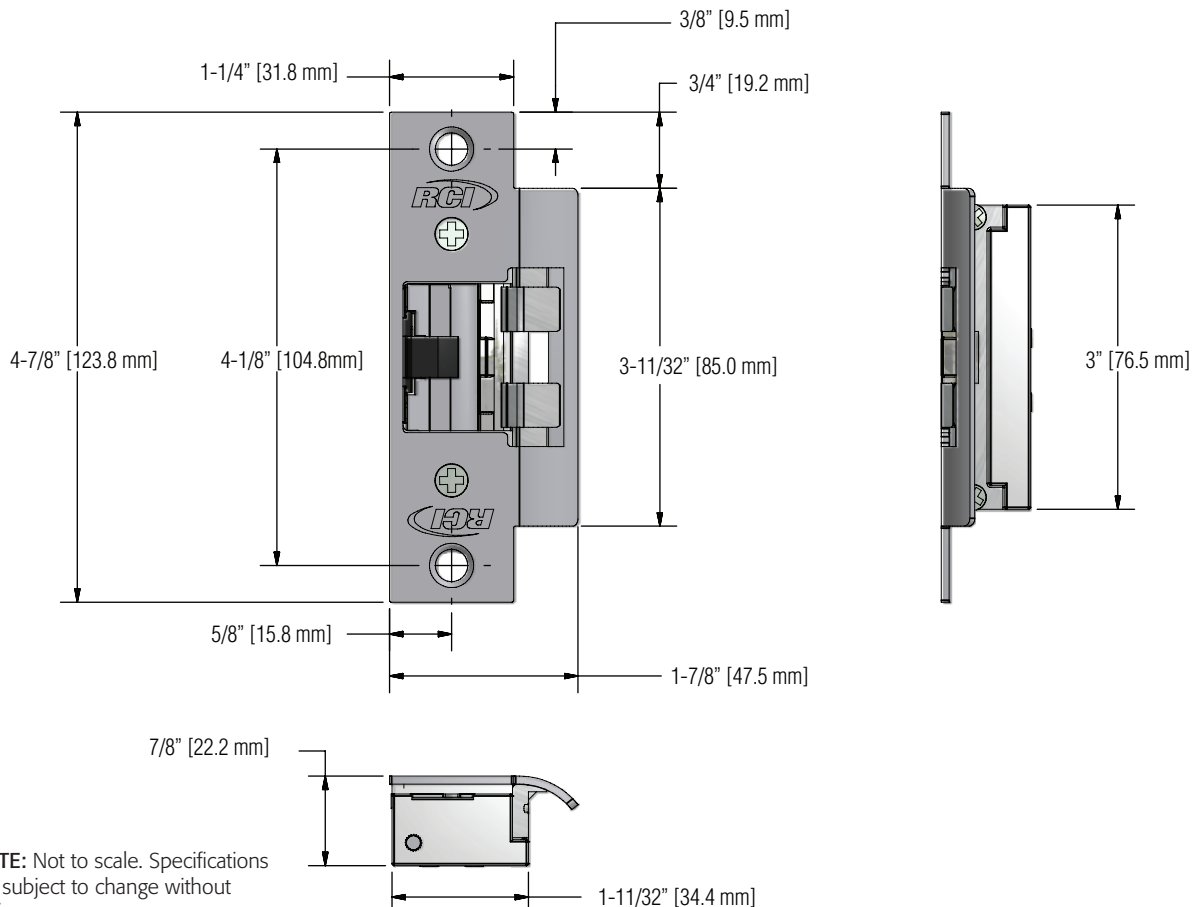
Model	Voltage	Duty	Sound	Amps*	Ohms†
5514	12 VDC	Continuous	Silent	0.29A	42
5514	24 VDC	Continuous	Silent	0.14A	168
5514	12-24 VAC	Intermittent	Buzz	0.18-0.375A	42

\* Ratings are based on maximum current draw at +10°C and include initial power up draw.

† Nominal resistance at +25°C ± 7% tolerance.

Intermittent Duty = Energized less than 1 minute with Duty Ratio 1: 5

Continuous Duty = Energized 1 minute or more



**NOTE:** Not to scale. Specifications are subject to change without notice.

RCI also offers a complete line of Electromagnetic Locks, Electric Locks, Power Supplies, Switches, Keypads & Readers, Exit Devices, Systems & Door Hardware.