



In or Out... we make it Easy!®



Simple Battery Replacement - Simply Lift Lid and Drop In



Dimensions

Reader (Prox) : 3" x 1-11/16" x 23/32"

Main Power Controller (driver/controller): 4-11/32" x 2-7/8" x 15/16"

patent pending

shown with
6 Series

Features & Benefits

- A complete single door access control system in one easy-to-install-kit
- Quick and easy plug-in installation and setup
- Reads only 26 bit, 125-kHz Proximity Protocols
- Ideal for applications where power is difficult to get to
- Cost effective solution – no running or hardwiring of cables required
- Ideal replacement for mechanical keypad
- Reader fits on mullion frames
- Aesthetically pleasing design
- Easy programming with the simple add/delete credentials
- Maintains access control in the event of a power outage
- Low battery warning LED remains visible for 250 operations on 1 battery and 500 operations for 2 batteries
- Simple battery replacement – no dismantling of controller, simply open lid and drop in (see inset photo above)
- Emergency battery access available in the event of battery failure
- Built in LED and sounder indicates status and provides visual entry confirmation
- Accepts up to 100 users

Low Powered Prox

The new LPP is a low powered battery operated access control with proximity reader. It is a complete single door or cabinet system in one easy-to-install kit.

The kit comes complete with a proximity reader, controller and lock when ordered. Also included are two 9 volt alkaline batteries, two user cards or two user fobs (depending on which kit you order) along with the add and delete card. There are multiple lock applications to choose from and it all operates on a 9 volt battery.

This one of a kind access control system can be used on external doors.

The compatibility makes it an ideal solution for adding access control to a remote door or cabinet that's not tied into the existing hardwired system. The system is also capable of integrating with existing credentials (26 bit, 125kHz Proximity Protocols)... no need to carry multiple cards.

Power Cycles

- Up to 40,000 cycles per set of batteries before battery change required

Unique Applications

- Can easily and safely be used on external doors
- Temporary access control applications
- Applications with limited or no power availability (A/V carts, supply rooms, medical carts, construction trailers, gates*)
- Future capability of upgrading to a Wiegand System.

* when properly encased in enclosure

Opening Application

- Mortise LocksF2164
- Rim Exit Devices0162
- Cylindrical Locks . . . 5514 (**Canada only**)
- Cylindrical LocksL65U
- Cabinet/Small Enclosures3513

Accessories

- LPP-5PKUC.....5 User Cards & 5 Shadow Cards
- LPP-5PKFB.....5 User Fobs & 5 Shadow Cards
- LPP-10PKUC...10 User Cards & 10 Shadow Cards
- LPP-10PKFB...10 User Fobs & 10 Shadow Cards



In or Out... we make it Easy!®

Ordering Options With User Cards

For use with cylindrical, mortise locks and cabinet lock:

- LPP-WLUC** Proximity Reader and Controller without lock
- LPP-F2UC** Proximity Reader with F2 Fire Rated Electric Strike
- LPP-5UC** Proximity Reader with 5514 Electric Strike (Canada only)
- LPP-L65UUC** Proximity Reader with Universal 6 Series Electric Strikes
- LPP-3513UC** Proximity Reader with 3513 Cabinet Lock

For use with Surface Mounted Rim Strike:

- LPP-0162UC** Proximity Reader with 0162 Surface Mounted Rim Strike
- LPP-WL0162UC** Proximity Reader and Controller programmed for 0162 Surface Mounted Rim Strike (strike not included)

Ordering Options With Key Fobs

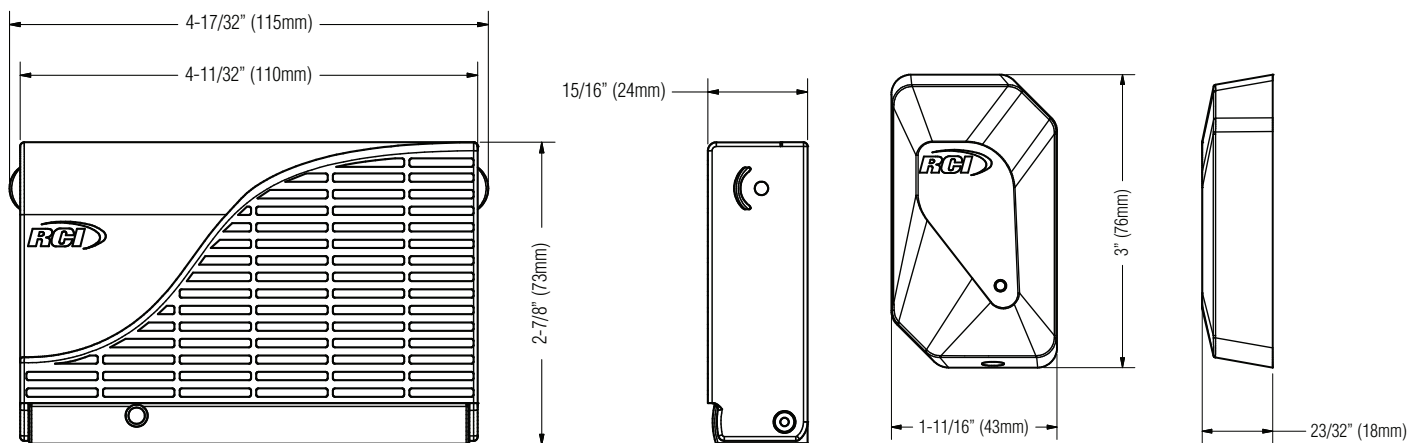
For use with cylindrical, mortise locks and cabinet lock:

- LPP-WLFB** Proximity Reader and Controller without lock
- LPP-F2FB** Proximity Reader with F2 Fire Rated Electric Strike
- LPP-5FB** Proximity Reader with 5514 Electric Strike (Canada only)
- LPP-L65UFB** Proximity Reader with Universal 6 Series Electric Strikes
- LPP-3513FB** Proximity Reader with 3513 Cabinet Lock

For use with Surface Mounted Rim Strike:

- LPP-0162FB** Proximity Reader with 0162 Surface Mounted Rim Strike
- LPP-WL0162FB** Proximity Reader and Controller programmed for 0162 Surface Mounted Rim Strike (strike not included)

Technical Specifications	
Dimensions	Reader (Prox) : 3" x 1-11/16" x 23/32" Main Power Controller (driver/controller): 4-11/32" x 2-7/8" x 15/16"
Number of Users	up to 100
Operating Temperature	0°F to 132°F (-20°C to 55°C)
Power Requirements	One or Two 9 Volt Alkaline or Lithium battery (Two 9 Volt Alkaline batteries included in kit)
"Door Open" time frame	5 Seconds
Read Range	Prox Card (0-3 cm) (2 cards or 2 key fobs included in kit) Key Fob (0-3 cm)
Harness (wire) length	3 Feet (36 inches)
Warranty	2 Year Limited
Weigand Format	26 bit, 125-kHz Proximity Protocols



NOTE: Specifications are subject to change without notice.

RCI also offers a complete line of Electromagnetic Locks, Electric Strikes, Power Supplies, Switches, Keypads & Readers, Exit Devices, Systems & Door Hardware.