



*In or Out... we make it Easy!®*



**940HP**

2-3/4"W x 4-1/2"H x 1-1/2"D  
(69.85mm x 114.3mm x 38.08mm)



**940H**

2-3/4"W x 4-1/2"H x 1-1/2"D  
(69.85mm x 114.3mm x 38.08mm)



**940P**

2-3/4"W x 4-1/2"H x 1-1/2"D  
(69.85mm x 114.3mm x 38.08mm)

## Features & Benefits

- Large 2-3/4" by 4-1/2" faceplate
- Available in "Handicap" symbol styles
- Momentary action switch standard
- Stainless steel faceplate
- Available in Spanish
- Tamper-Resistant

## Highlights

- Debossed and Filled Exit & Handicapped
- Legends
- Stainless Steel
- Tamper-Resistant
- Ideal for Vandal-Prone Areas
- Lifetime Warranty

## Applications

- Handicap Areas
- Vandal-Prone Areas
- Vestibules
- Storefront
- Commercial
- Industrial
- Health Care

## Stainless Steel Switches

These popular stainless steel switches meet the highest construction and performance standards. Dependable, responsive and easy to install, these assisted door switches are ideal for a broad range of door automation applications.

## Optional Mounting Accessories

940SUR . . . . . Surface Mount Box

## Finishes

32D . . . . . Brushed Stainless Steel (Standard)

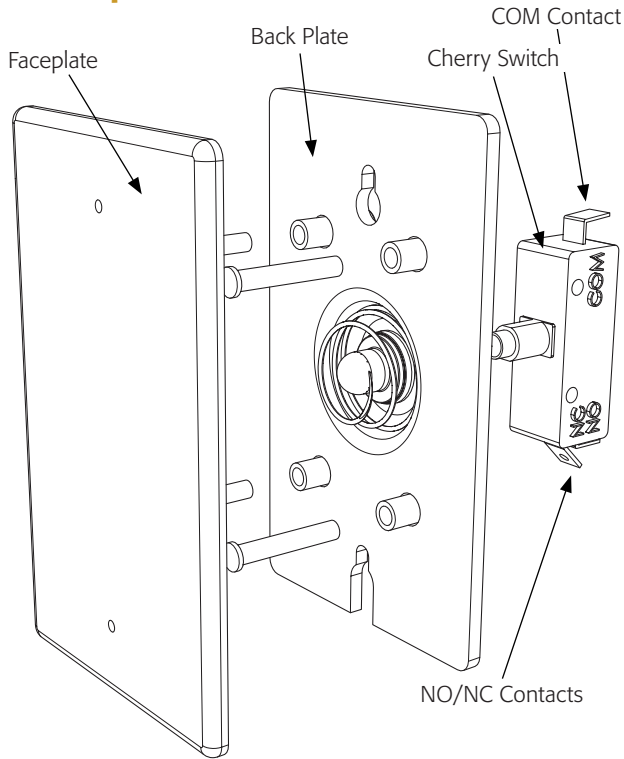
## Technical Specs

- 16 gauge, 304 2B Stainless Steel Faceplate
- 1/8" thick, Aluminum Back Plate
- Stainless Steel 6-32 x 1" and 8-32 x 1", Allen head mounting screws
- Cherry Switch: Single-pole, 15A, COM/NO/NC Contacts

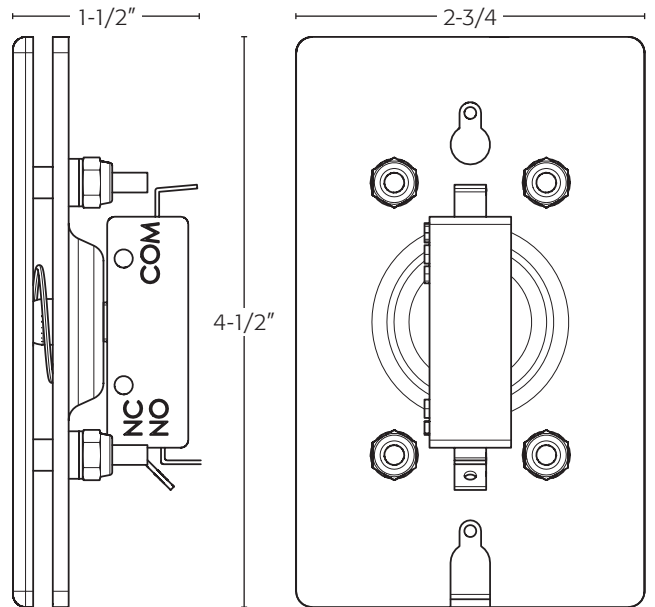


*In or Out... we make it Easy!*

### Components



### Details



RCI also offers a complete line of Electromagnetic Locks, Electric Strikes, Power Supplies, Switches, Keypads & Readers, Exit Devices, Systems & Door Hardware.