



RUTHERFORD CONTROLS
A DORMA Group Company

In or Out... we make it Easy!®



946P475 & 946P6
4-3/4" or 6" Button
(120.65mm or 152.4mm)



946HP475 & 946HP6
4-3/4" or 6" Button
(120.65mm or 152.4mm)



946H475 & 946H6
4-3/4" or 6" Button
(120.65mm or 152.4mm)



946HP45
4-1/2" Square Pushplate
(4-1/2"W x 4-1/2"H x 1-23/64"D)
(114.3mm x 114.3mm x 34.5mm)

946-475 & 946-6 Features & Benefits

- 946-475 model features a large 4-3/4" (120.65mm) square button
- 946-6 model features large 6" (152.4mm) square button
- Available in multiple styles to meet specifications and customer requests
- Momentary action switch standard
- Stainless steel faceplate
- Tamper-Resistant
- Perfect for any wall application

946HP45 Features & Benefits

- Screws are on the outside surface allowing easy removal or installation of pushplate
- Perfect for wall applications because they are easy to see, but unobtrusive to the aesthetics of the building
- Stainless steel faceplate
- Tamper-Resistant
- An all-active plate activates with any "push" location
- Weather boot between plate and back plate for all weather applications
- Screws come in multiple sizes (#6) which fit both single and double gang mounting boxes

Finishes

- 32D** Brushed Stainless Steel (Standard)
- BLU** Blue

946 Square Stainless Steel Switches

These stainless steel switches meet the highest construction and performance standards. Dependable, responsive and easy to install, these assisted door switches are ideal for a broad range of door automation applications.

Comes in the standard 4-3/4" (114.3mm) diameter as well as a handy 6" (152.4mm) diameter for high visibility and easy use.

The 4-1/2" square pushplate is the perfect solution for fast and easy installation. Screws on the front plate allow for quick removal while still remaining functional, aesthetically appealing and weather resistant.

Highlights

- Text and logo are baked onto the surface for maximum durability
- Stainless Steel (scratch/scuff resistant)
- Tamper-Resistant
- Ideal for Vandal-Prone Areas
- Lifetime Warranty
- Front plate comes off for mounting (946HP45)

Applications

- Handicap Areas
- Vandal-Prone Areas
- Vestibules
- Storefront
- Commercial
- Industrial
- Health Care

946-475 & 946-6 Technical Specs

- 16 gauge, 304 2B stainless steel faceplate
- 1/8" thick, aluminum back plate
- Stainless steel 6-32 x 1" and 8-32 x 1", Allen head mounting screws
- Cherry Switch: Single-pole, 15A, COM/NO/NC Contacts

946HP45 Technical Specs

- 16 gauge, 304 2B stainless steel faceplate
- 16 gauge, 304 2B stainless steel back plate
- Stainless steel 6-32 x 1" Phillips head mounting screws
- Stainless steel 6-32 x 1/4" Phillips or tamper-resistant Spanner head assembly screw
- Cherry Switch: Single-pole, 15A, COM/NO/NC contacts
- Powdercoat the clear coated faceplates available on certain styles
- Wire nuts



In or Out... we make it Easy!

946 Series Mounting Options

946HP45 Series Mounting Options



946475WR
Weather Ring

9466SUR, 946475SUR, 94645SUR

9466FLU, 946475FLU

9BOLL
Bollard

9464PLAST
Double Gang
Mount Box

4.75" Pushplate Only

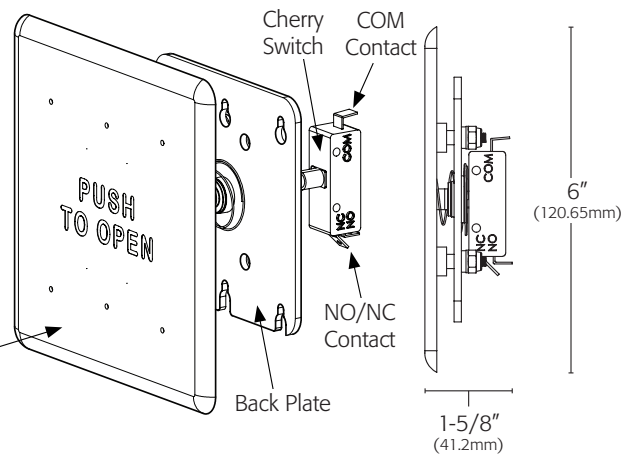
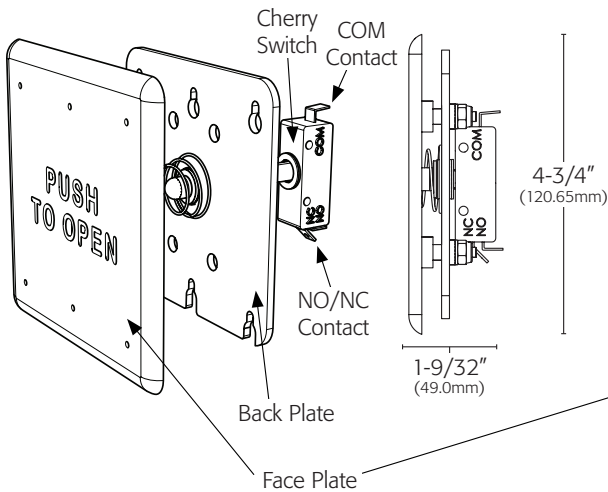
Square Surface Mount Box

Square Flush Mount Box

4.5" Pushplate Only

4.75" Square Pushplate Details

6" Square Pushplate Details



4.5" Square Pushplate Details

