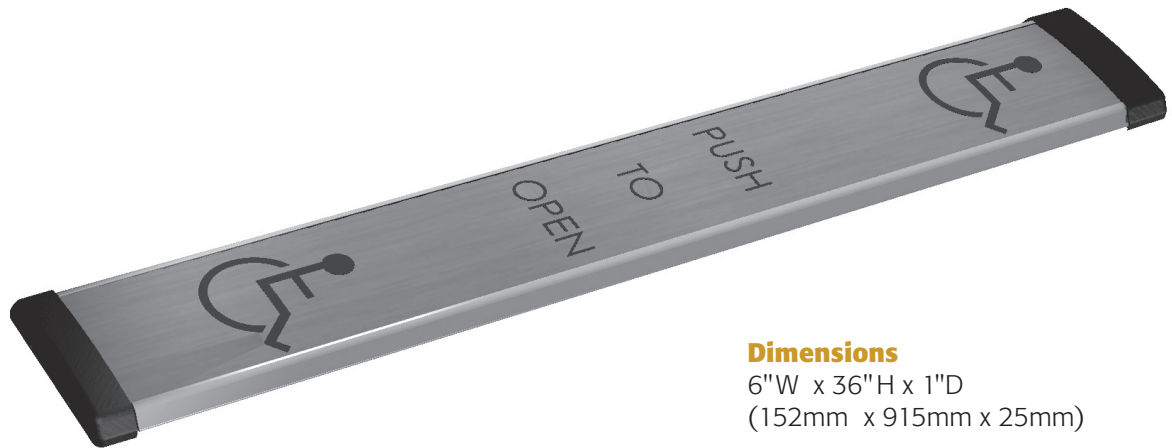




RUTHERFORD CONTROLS  
A DORMA Group Company

*In or Out... we make it Easy!®*



### Dimensions

6"W x 36"H x 1"D  
(152mm x 915mm x 25mm)

## Features & Benefits

- Designed with a 36 x 6 inch activation zone and low profile depth of 1 inch
- Exceeds the California Building Code, Section 1117B.6
- Exceeds Ontario Building Code, Sections A-3.8.3.3 (17) and A-3.8.1.5
- Can be mounted to any flat surface using concealed fasteners for aesthetics and minimize vandalism
- Easily adapts to either a wireless or hard wired installation
- Optional built-in wireless transmitter comes pre-installed in the top end cap
- First UL Listed push plate for pedestrian door activation under UL325 for US and Canada.

## 36" Push Plate – Low Profile Solutions

The new Low Profile 36" Push Plate for automatic doors maximizes mobility and independence for people with disabilities. ADA & DDA compliant.

The entire surface provides four separate, and redundant switches that allow activation from virtually any angle and location

## Highlights

- Quick and easy setup
- Weather resistant
- Wired or wireless
- 3 year warranty

## Product Family

**9LP36-433** – Push plate includes a 433 MHz wireless transmitter

**9LP36-HW** – Hard wired installation only

**9BOLL** – Bollard Mounting Post

## Certifications & Testing





RUTHERFORD CONTROLS  
A DORMA Group Company

*In or Out... we make it Easy!®*

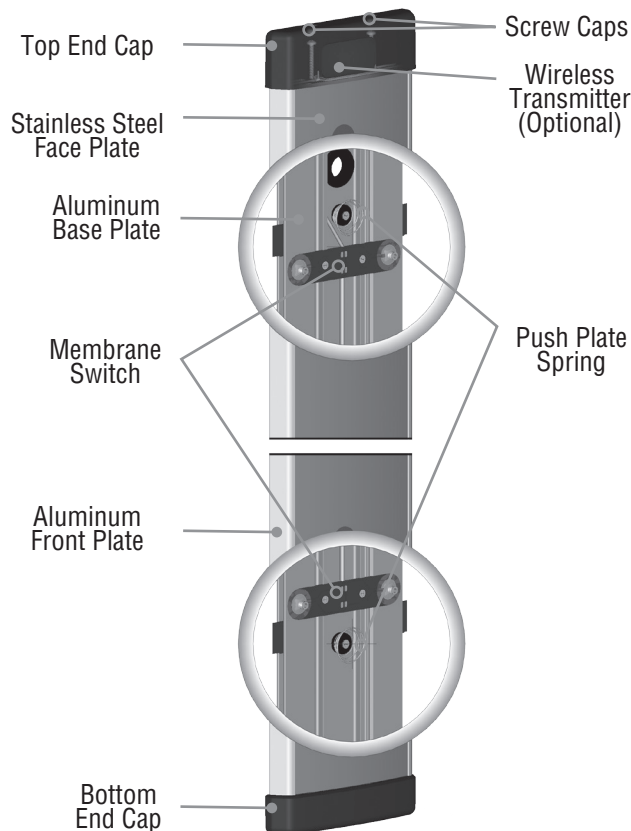
## Product Specs

### TECHNICAL

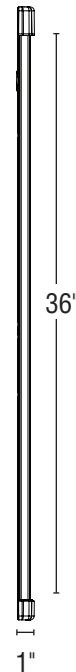
Contact Configuration SPST N.O.	Trip Force 1.5 lbs
Switching Voltage .1 to 50V DC	Two Conductor Cabling 24 awg,
Switching Capacity 1 Watt	7 × 32 stranding UL 1007
Switching Current .005 to 100 ma DC	Operation Temperature -35°C to +100°C
Contact Bounce < .3 ms make < .6 ms break	Contact Life 2 million cycles
	Transmitter Frequency 300, 390 or 433 MHz

### MATERIALS

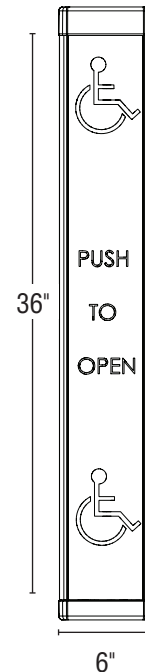
Dome Material Stainless Steel	Face Plate Stainless Steel
Switch Material FR4 Gold Plated Traces	Switch Actuator Material Nylon 6/6
Membrane Switch Material 3M 7993MP	End Cap Material UL94 ABS
Base Material Aluminum	



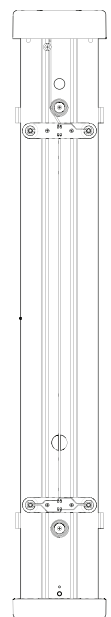
Side View



Front View



Interior



RCI also offers a complete line of Electromagnetic Locks, Electric Strikes, Power Supplies, Switches, Keypads & Readers, Exit Devices, Systems & Door Hardware.