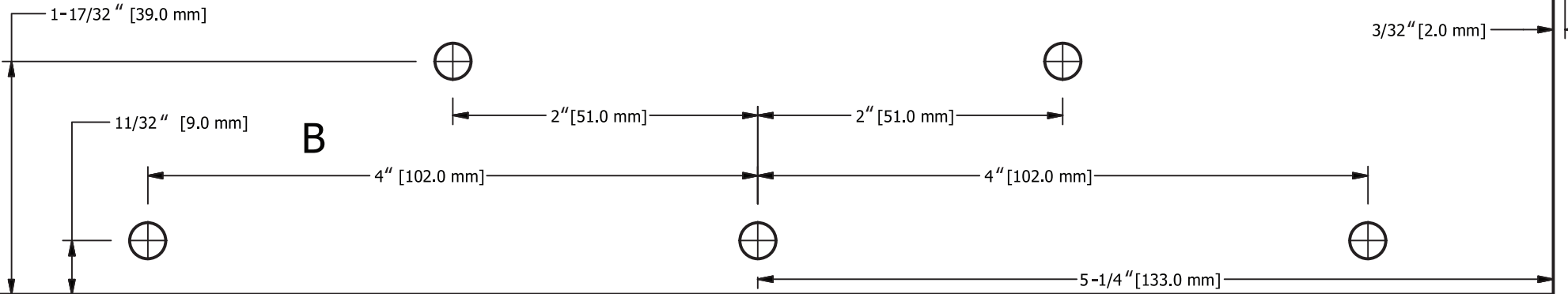
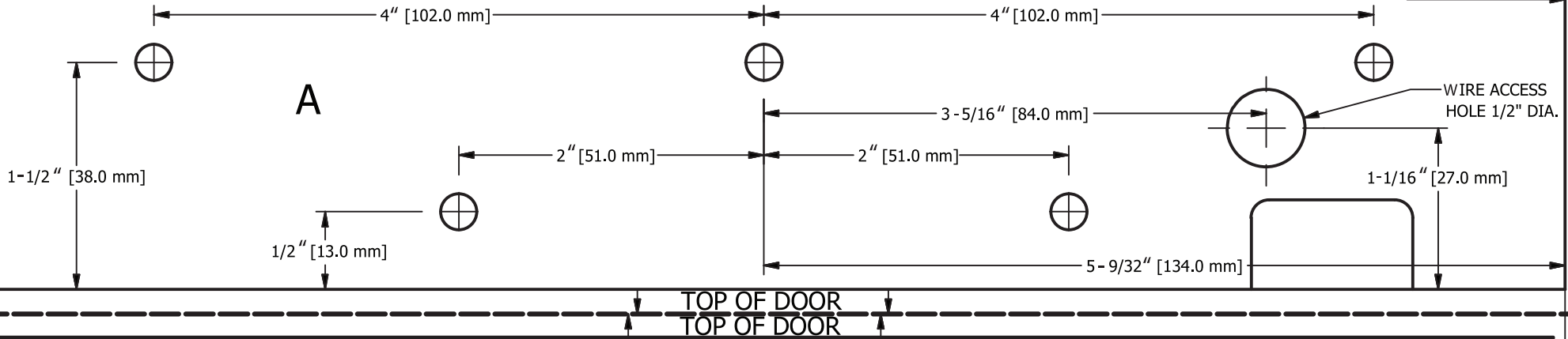


TEMPLATE FOR 8310 TOP JAMB BRACKET ACCESSORY

PLACE AT LEAST 1-1/4" [32mm]
FROM VERTICAL JAMB OPPOSITE
HINGE FOR L.H.R. DOOR INSTALLATION

PLACE AT LEAST 1-1/4" [32mm]
FROM VERTICAL JAMB OPPOSITE
HINGE FOR R.H.R. DOOR INSTALLATION



READ ISTJ-2 TOP JAMB BRACKET INSTALLATION INSTRUCTIONS

WARNING: Improper installation, maintenance, inspection or usage of the product or any related accessories or parts may cause the electromagnetic lock, armature plate and associated hardware to disengage and fall, causing serious bodily injury and property damage. Rutherford Controls Int'l Inc. and/or Rutherford Controls Int'l Corp. will not be liable to the installer, purchaser, end user or anyone else for damage or injury to person or property due to improper installation, care, storage, handling, maintenance, inspection, abuse, misuse or act of God or nature involving this product or any related accessories or parts.

